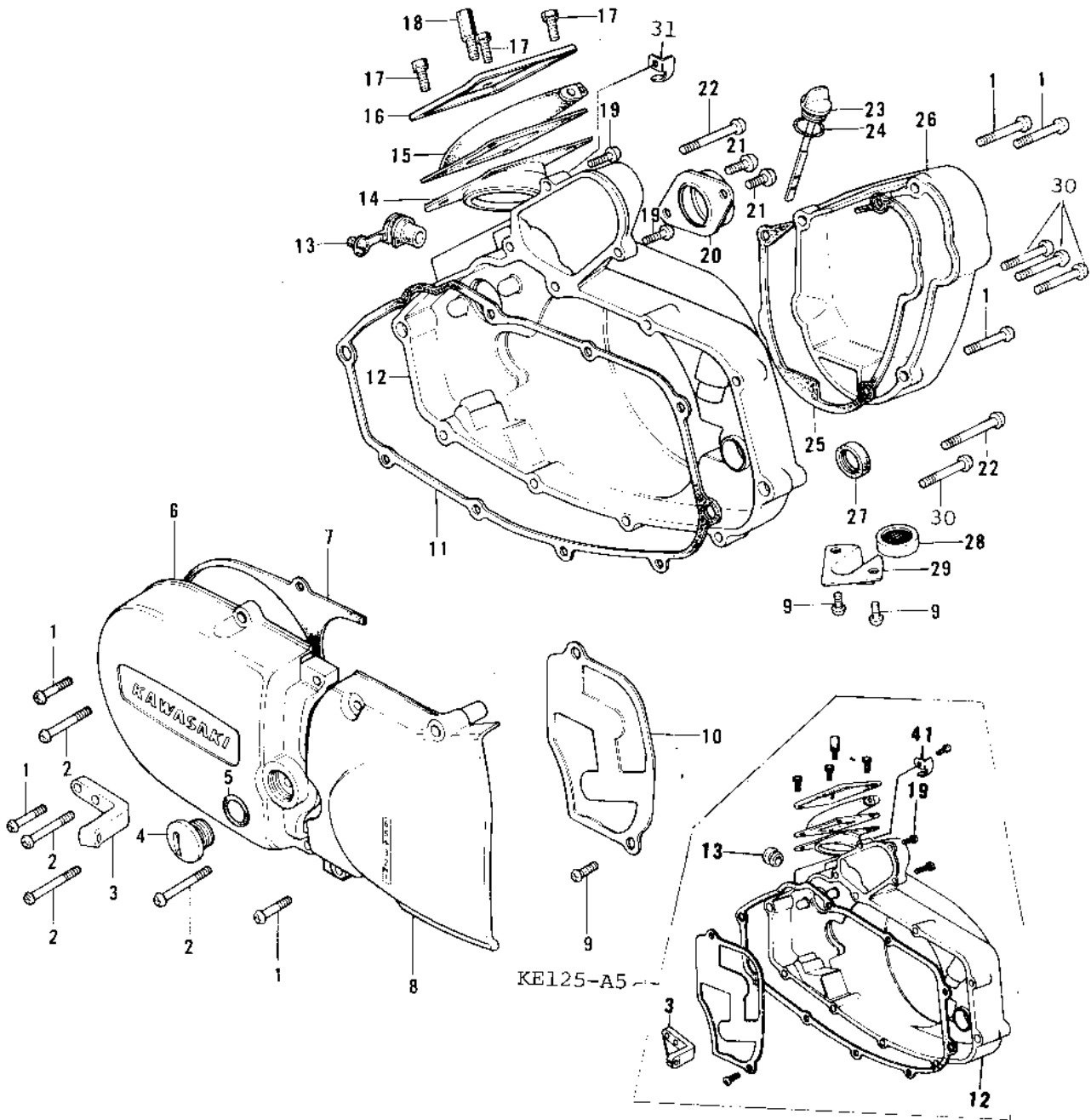


1978 KE125 PARTS DIAGRAM

ENGINE COVERS (76-79)



1978 KE125 PARTS LIST

ENGINE COVERS ('76-'79)

| ITEM NAME | PART NUMBER | QUANTITY |
|---------------------------------|---------------|----------|
| SCREW PAN HEAD 6X20 (Ref # 1) | 220B0620 | 8 |
| SCREW PAN HEAD 6X35 (Ref # 2) | 220B0635 | 4 |
| HOLDER,WIRE GUIDE (Ref # 3) | 14044-012 | 1 |
| HOLDER,WIRE GUIDE (Ref # 3) | 14044-012 | 1 |
| PLUG,L.H ENG COVER (Ref # 4) | 92067-017 | 1 |
| "O" RING,16MM (Ref # 5) | 670B2016 | 1 |
| COVER,L.H.ENGINE (Ref # 6) | 14031-1019-2H | 1 |
| COVER,L.H.ENGINE (Ref # 6) | 14031-1019-2H | 1 |
| GASKET,L.H ENG COVER (Ref # 7) | 14045-017 | 1 |
| COVER,CHN CASE,BARREL (Ref # 8) | 14026-020-2H | 1 |
| COVER,CHAIN CASE (Ref # 8) | 14026-1007-2H | 1 |
| COVER,CHAIN CASE (Ref # 8) | 14026-1007-2H | 1 |
| SCREW PAN HEAD 6X12 (Ref # 9) | 220B0612 | 3 |
| COVER,OIL PUMP (Ref # 10) | 14030-060 | 1 |
| GASKET,R.H ENG COVER (Ref # 11) | 14046-029 | 1 |
| COVER,R.H ENG,BARREL (Ref # 12) | 14032-120-2H | 1 |
| COVER,R.H ENG,BARREL (Ref # 12) | 14032-120-2H | 1 |
| COVER,R.H,ENGINE (Ref # 12) | 14032-1010-2H | 1 |
| GROMMET,R.H ENG COV (Ref # 13) | 92071-076 | 1 |
| CAP CARB MOUNT HOLE (Ref # 13) | 14039-001 | 1 |
| CAP,CARBURETOR (Ref # 14) | 14038-039 | 1 |
| CAP,CARBURETOR (Ref # 15) | 14038-040 | 1 |
| HOLDER,CARBRETOR CAP (Ref # 16) | 14065-007 | 1 |
| BOLT-UPSET (Ref # 17) | 112G0618 | 3 |
| BOLT,CARBURETOR CAP (Ref # 18) | 92001-130 | 1 |
| SCREW PAN HEAD 5X16 (Ref # 19) | 220B0516A | 3 |
| HOLDER,CARBURETOR (Ref # 20) | 16065-033 | 1 |
| SCREW PAN HEAD 6X12 (Ref # 21) | 220B0612 | 2 |
| SCREW PAN HEAD 6X45 (Ref # 22) | 220B0645 | 2 |

1978 KE125 PARTS LIST

ENGINE COVERS ('76-'79)

| ITEM NAME | PART NUMBER | QUANTITY |
|----------------------------------|--------------|----------|
| PLUG,OIL FILLER (Ref # 23) | 16115-020 | 1 |
| "O" RING,20MM (Ref # 24) | 670B2020 | 1 |
| GASKET,CARBURETOR COV (Ref # 25) | 11009-1277 | 1 |
| COVER,CARBURETOR,BARL (Ref # 26) | 14030-071-2H | 1 |
| COVER,CARBURETOR,BARL (Ref # 26) | 14030-071-2H | 1 |
| OIL SEAL SB16244 (Ref # 27) | 92049-002 | 1 |
| DRAIN,FUEL (Ref # 28) | 16116-006 | 1 |
| COVER,FUEL DRAIN (Ref # 29) | 14076-006 | 1 |
| SCREW PAN HEAD 6X30 (Ref # 30) | 220B0630 | 7 |
| GUIDE,CABLE (Ref # 31) | 54030-012 | 1 |