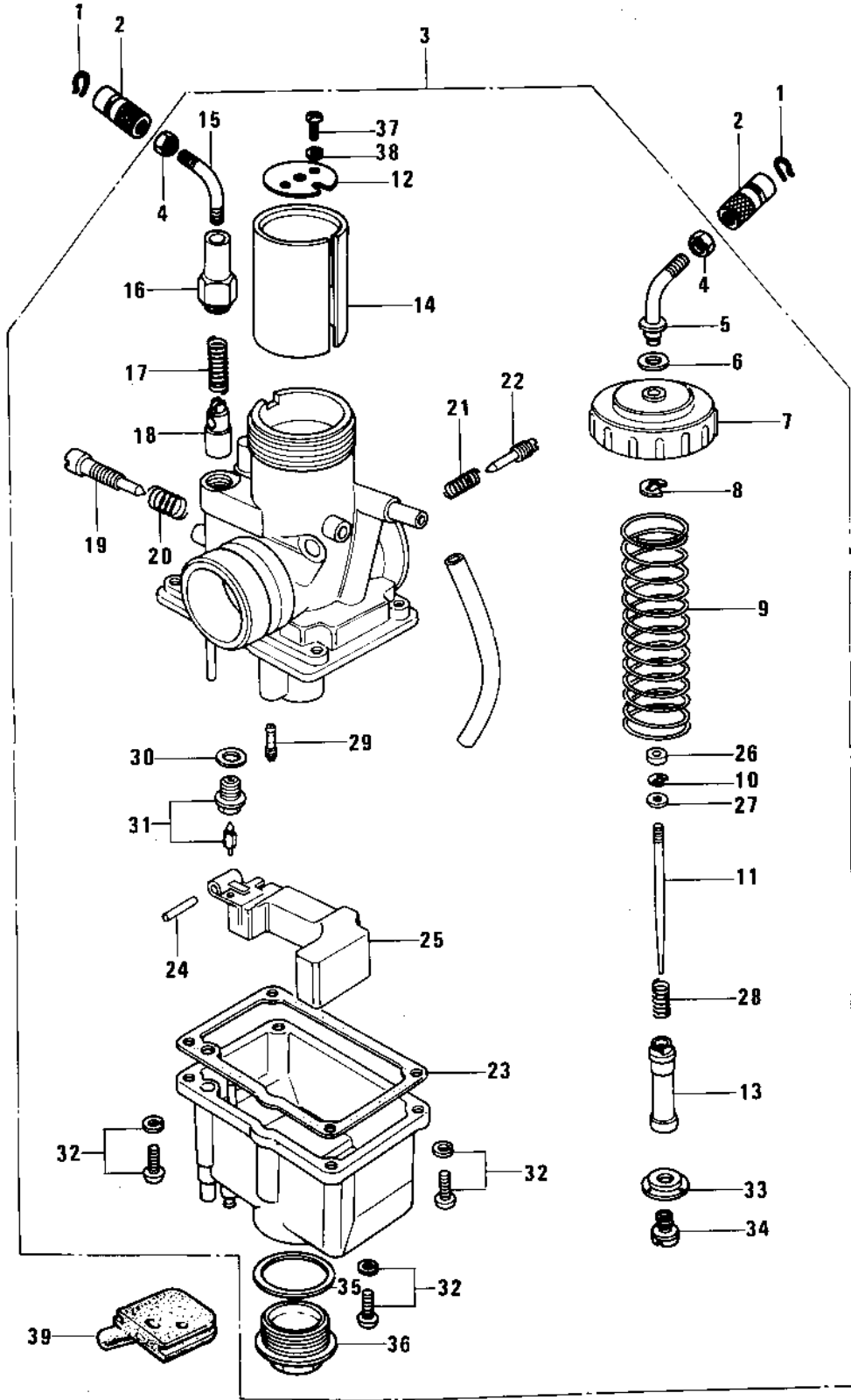


1978 KE125 PARTS DIAGRAM

CARBURETOR (KE125-A6)



1978 KE125 PARTS LIST

CARBURETOR (KE125-A6)

| ITEM NAME | PART NUMBER | QUANTITY |
|----------------------------------|-------------|----------|
| CIRCLIP (Ref # 1) | 92036-018 | 2 |
| CABLE ADJUSTER (Ref # 2) | 16002-007 | 2 |
| CARBURETOR ASSY (Ref # 3) | 16001-1038 | 1 |
| NUT CABLE ADJUST LOCK (Ref # 4) | 16003-004 | 2 |
| GUIDE,CABLE (Ref # 5) | 16077-011 | 1 |
| GASKET,CABLE GUIDE (Ref # 6) | 16029-007 | 1 |
| CAP,MIXING CHAMBER (Ref # 7) | 16004-024 | 1 |
| CIRCLIP,CABLE GUIDE (Ref # 8) | 16008-011 | 1 |
| SPRING,THROTTLE VALV (Ref # 9) | 16006-024 | 1 |
| CIRCLIP (Ref # 10) | 16008-010 | 1 |
| JET NEEDLE,SEL17-3 (Ref # 11) | 16009-1019 | 1 |
| PLATE,THROTTLE VALVE (Ref # 12) | 13169-1123 | 1 |
| NEEDLE JET,#A0-0 (Ref # 13) | 16017-1025 | 1 |
| VALVE,THROTTLE,CA2.5 (Ref # 14) | 16025-1018 | 1 |
| GUIDE,CABLE (Ref # 15) | 16077-010 | 1 |
| CAP,STARTER PLUNGER (Ref # 16) | 16012-017 | 1 |
| SPRING-PLUNGER (Ref # 17) | 16013-003 | 1 |
| PLUNGER-ENRICHNER (Ref # 18) | 16016-002 | 1 |
| SCREW,THROTTLE STOP (Ref # 19) | 16021-023 | 1 |
| SPRING THR STOP SCREW (Ref # 20) | 16022-005 | 1 |
| SPRING-THR STOP SCREW (Ref # 21) | 16022-007 | 1 |
| SCREW PILOT AIR ADJST (Ref # 22) | 16014-002 | 1 |
| GASKET,FLOAT CHAMBER (Ref # 23) | 16019-023 | 1 |
| FLOAT PIN (Ref # 24) | 16032-006 | 1 |
| FLOAT (Ref # 25) | 16031-026 | 1 |
| RING,JET NEEDLE (Ref # 26) | 92027-1103 | 1 |
| WASHER,THROTTLE VALVE (Ref # 27) | 92022-1024 | 1 |
| SPRING,JET NEEDLE (Ref # 28) | 92081-1072 | 1 |
| PILOT JET,#A25 (Ref # 29) | 92064-1020 | 1 |

1978 KE125 PARTS LIST

CARBURETOR (KE125-A6)

| ITEM NAME | PART NUMBER | QUANTITY |
|----------------------------------|-------------|----------|
| WASHER FLOAT VLV SEAT (Ref # 30) | 16029-004 | 1 |
| FLOAT VALVE ASSY (Ref # 31) | 16030-024 | 1 |
| SCREW-PAN-WS-CROS (Ref # 32) | 223B0414 | 4 |
| RING,MAIN JET (Ref # 33) | 16008-012 | 1 |
| MAIN JET,#A95 (Ref # 34) | 92063-1031 | 1 |
| GASKET,MAIN JET COVER (Ref # 35) | 16034-008 | 1 |
| BOLT,BANJO (Ref # 36) | 92001-146 | 1 |
| SCREW PAN HEAD 3X8 (Ref # 37) | 220B0308 | 1 |
| WASHER SPRING 3MM (Ref # 38) | 461F0300 | 1 |
| GROMMET,OVERFLOW (Ref # 39) | 16136-009 | 1 |