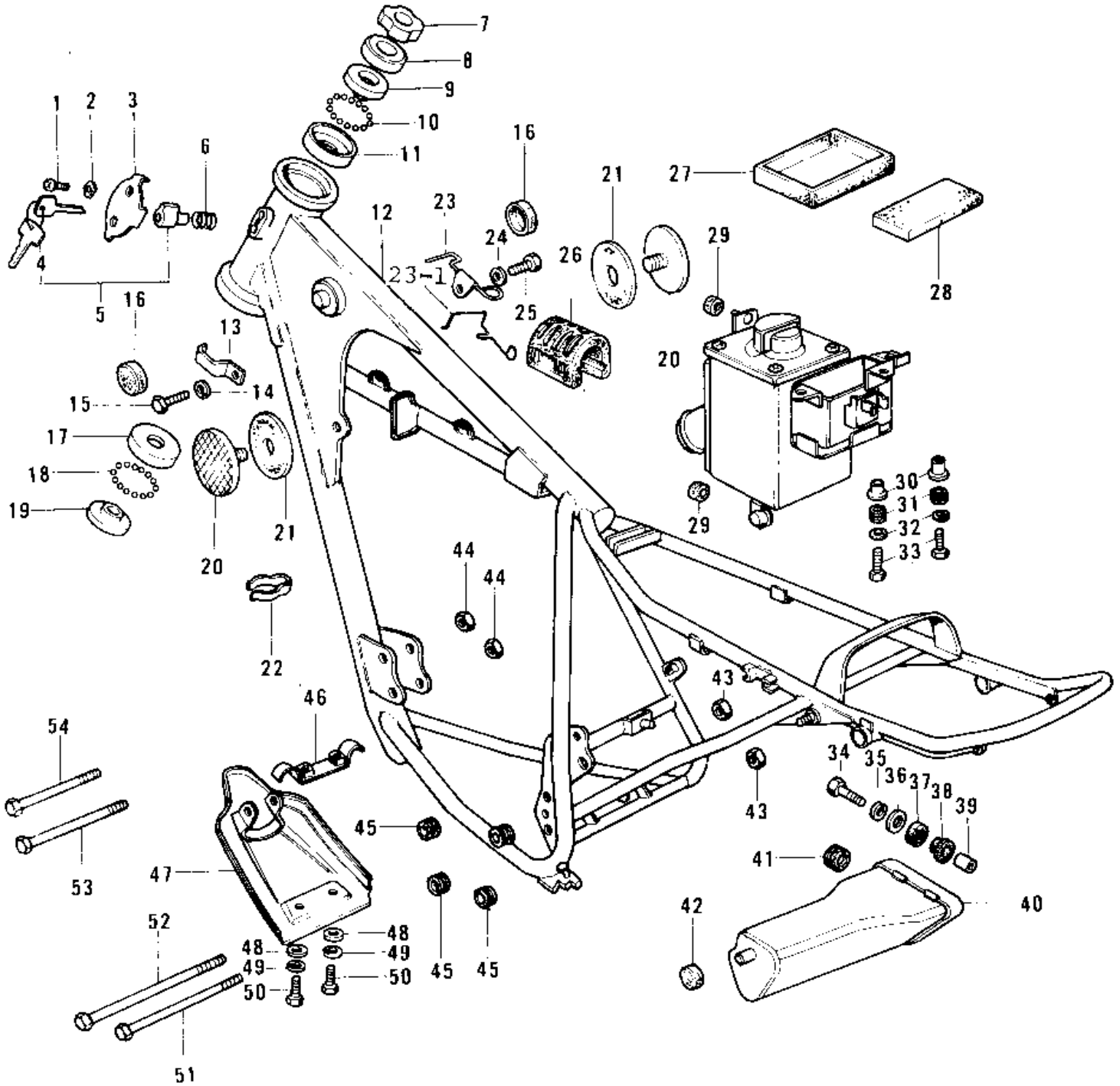


# 1976 KE125 PARTS DIAGRAM

FRAME/FRAME FITTINGS ('76-'79)



# 1976 KE125 PARTS LIST

## FRAME/FRAME FITTINGS ('76-'79)

ITEM NAME	PART NUMBER	QUANTITY
SCREW-TAPPING (Ref # 1)	92008-007	1
WASHER (Ref # 2)	92097-003	1
CAP,STEERING LOCK (Ref # 3)	11012-1134	1
KEY SET #431 (Ref # 4)	27008-054-31	1
KEY SET #432 (Ref # 4)	27008-054-32	1
KEY SET #433 (Ref # 4)	27008-054-33	1
KEY SET # 434 (Ref # 4)	27008-054-34	1
KEY SET #435 (Ref # 4)	27008-054-35	1
KEY SET #436 (Ref # 4)	27008-054-36	1
KEY SET #437 (Ref # 4)	27008-054-37	1
KEY SET #438 (Ref # 4)	27008-054-38	1
KEY SET #439 (Ref # 4)	27008-054-39	1
KEY SET #440 (Ref # 4)	27008-054-40	1
LOCK ASSY,STEERING (Ref # 5)	27016-042	1
SPRING-STEERING LOCK (Ref # 6)	27032-001	1
NUT,STEERING STEM (Ref # 7)	92090-022	1
CAP,STEERING STEM (Ref # 8)	46098-012	1
CONE,STRG STM BRG,UP (Ref # 9)	92047-014	1
BALL STEEL 3/16' (Ref # 10)	600A0600	23
RACE,STRG STM BEARING (Ref # 11)	92048-009	1
FRAME (Ref # 12)	32002-074	1
FRAME (Ref # 12)	32002-1065	1
CLAMP,WIRE HARNESS (Ref # 13)	92037-150	1
WASHER SPRING 6MM (Ref # 14)	461F0600	1
BOLT-UPSET 6X14 (Ref # 15)	112B0614	1
DAMPER RUBBER-FL TANK (Ref # 16)	92075-101	2
RACE STEERING BEARING (Ref # 17)	92048-005	1
BALL STEEL 1/4' (Ref # 18)	600A0800	19
CONE STERNG BERG LOW (Ref # 19)	92047-010	1

# 1976 KE125 PARTS LIST

## FRAME/FRAME FITTINGS ('76-'79)

ITEM NAME	PART NUMBER	QUANTITY
REFLECTOR,REFLEX,REAR (Ref # 20)	28012-009	2
DAMPER RUBBER,REFLECT (Ref # 21)	92094-011	2
CLAMP,CABLE (Ref # 22)	92037-093	1
CLAMP,CABLE (Ref # 23)	92037-176	1
CLAMP,CABLE (Ref # 23-1)	92037-176	1
WASHER PLAIN 6MM (Ref # 24)	411B0600	1
BOLT,6X10 (Ref # 25)	112G0610	1
BOLT-UPSET,6X12 (Ref # 25)	112G0612	1
DAMPER RUBBER (Ref # 26)	92075-284	1
MAT-BATTERY SIDE (Ref # 27)	32103-023	1
MAT,BATTERY (Ref # 28)	32103-027	1
DAMPER RUBBER,CLENER (Ref # 29)	92075-217	2
COLLAR (Ref # 30)	92027-153	2
DAMPER RUBBER (Ref # 31)	92075-051	2
WASHER SPRING 6MM (Ref # 32)	461F0600	2
BOLT-UPSET,6X16 (Ref # 33)	112G0616	2
BOLT-UPSET (Ref # 34)	112G0625	1
WASHER SPRING 6MM (Ref # 35)	461F0600	1
WASHER,PLAIN,7MM (Ref # 36)	92022-228	1
DAMPER RUBBER (Ref # 37)	92075-175	1
RUBBER,FENDER COVER (Ref # 38)	92075-174	1
COLLAR,REAR FENDER (Ref # 39)	92027-162	1
CASE,TOOL (Ref # 40)	32098-022	1
DAMPER RUBBER-OIL TNK (Ref # 41)	92075-150	1
DAMPER RUBBER (Ref # 42)	92075-107	1
NUT,10MM (Ref # 43)	92015-1429	2
NUT,LOCK,8MM (Ref # 44)	92015-1124	2
GROMMET (Ref # 45)	92071-056	3
BRACKET,ENGINE GUARD (Ref # 46)	55016-008	1

## 1976 KE125 PARTS LIST

### FRAME/FRAME FITTINGS ('76-'79)

ITEM NAME	PART NUMBER	QUANTITY
GUARD,ENGINE (Ref # 47)	55011-020	1
WASHER 6.5X20X1.6T (Ref # 48)	92022-125	2
WASHER SPRING 6MM (Ref # 49)	461F0600	2
BOLT-UPSET,6X16 (Ref # 50)	112G0616	2
BOLT,HEX HEAD,10X117 (Ref # 51)	92001-1246	1
BOLT,FLANGED,10X115 (Ref # 51)	92001-1603	1
BOLT,HEX HEAD,10X130 (Ref # 52)	92001-1249	1
UNAVAILABLE IN PRICE BOOK (Ref # 53)	110B0871	1
BOLT,HEX HEAD,8X65 (Ref # 54)	110B0865	1