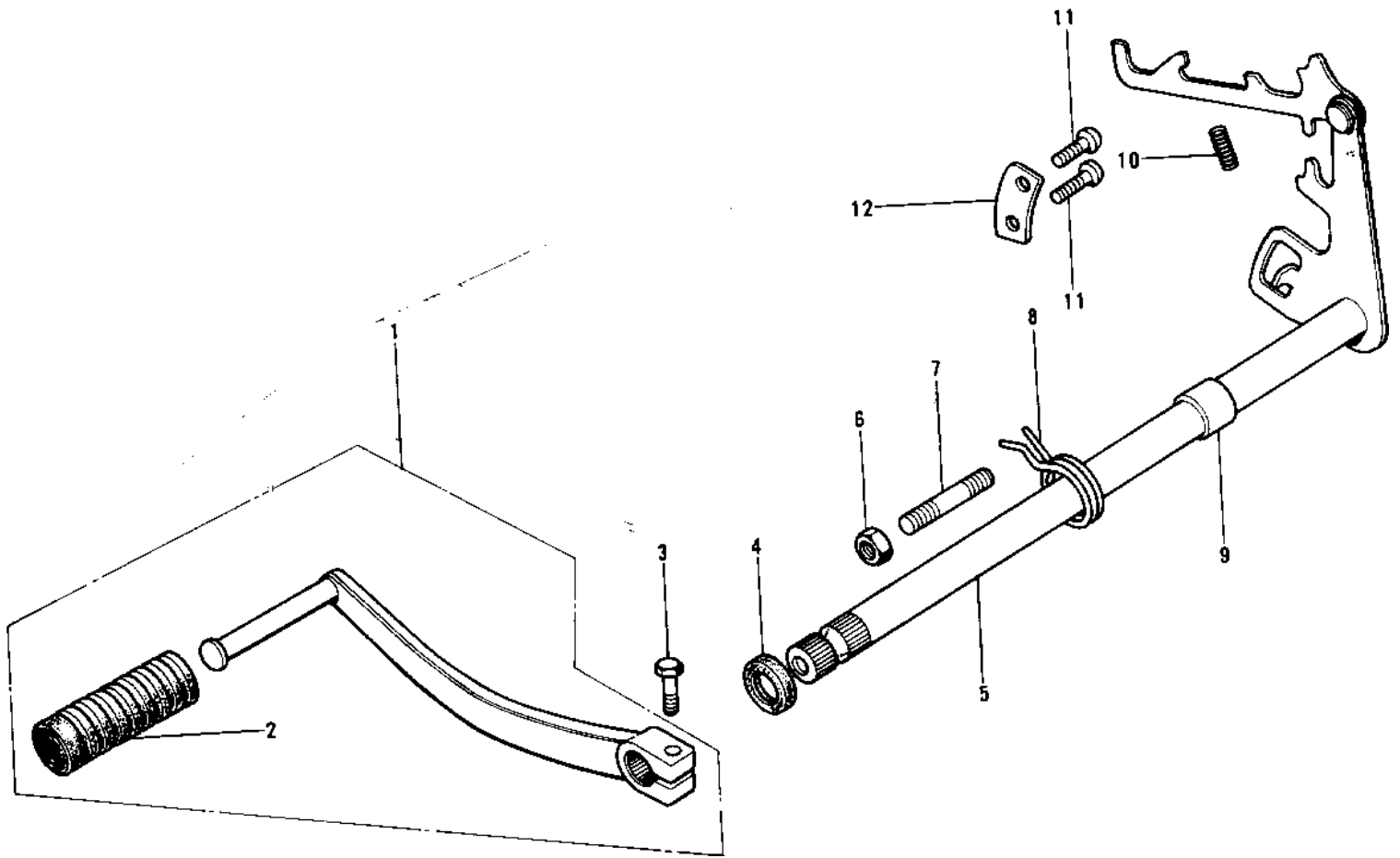


1976 KX125-A3 PARTS DIAGRAM

GEAR CHANGE MECHANISM ('74-'76 KX125/A/A)



1976 KX125-A3 PARTS LIST

GEAR CHANGE MECHANISM ('74-'76 KX125/A/A)

ITEM NAME	PART NUMBER	QUANTITY
LEVER-ASSY-CHANGE,PED (Ref # 1)	13242-1272	
RUBBER CHANGE PEDAL (Ref # 2)	13157-004	
BOLT-UPSET,6X20 (Ref # 3)	112G0620	
SEAL-OIL (Ref # 4)	92049-1271	
LEVER ASY,GEAR SHIFT (Ref # 5)	13161-040	
NUT 8MM (Ref # 6)	312B0800	
BOLT,RETURN SPRING (Ref # 7)	92001-1401	
SPRING,TENTION (Ref # 8)	92081-1129	
COLLAR,GEAR CHNG LEV (Ref # 9)	92027-205	
SPRING,KICK PAWL (Ref # 10)	92081-124	
SCREW PAN HEAD 6X14 (Ref # 11)	220B0614	
PLATE,CHNG DRUM PSTN (Ref # 12)	13169-013	