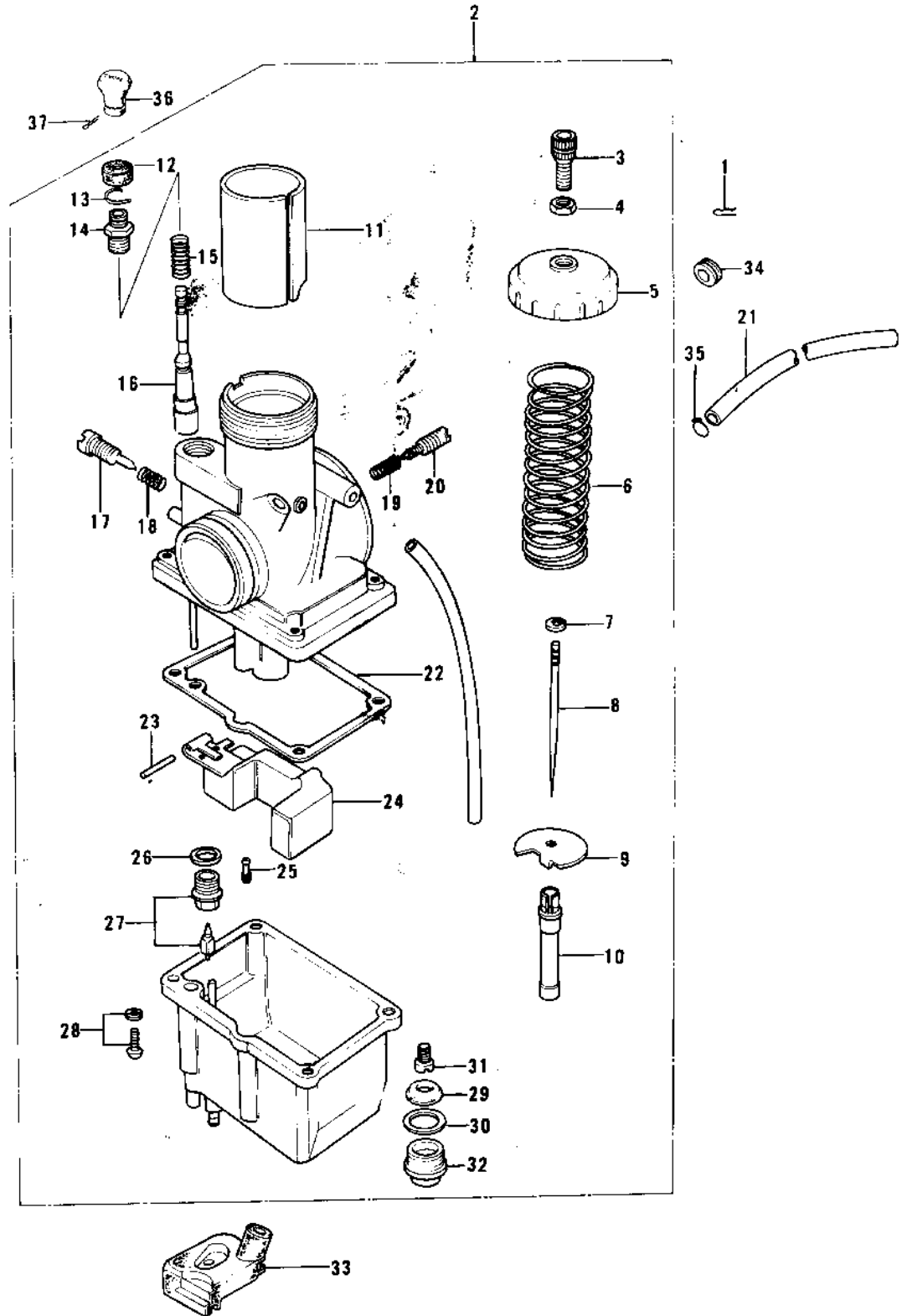


1975 KX125-A PARTS DIAGRAM

CARBURETOR ('74-'76 KX125/A/A3)



1975 KX125-A PARTS LIST

CARBURETOR ('74-'76 KX125/A/A3)

| ITEM NAME | PART NUMBER | QUANTITY |
|----------------------------------|-------------|----------|
| CIRCLIP (Ref # 1) | 92036-018 | |
| CARBURETOR (Ref # 2) | 16001-208 | |
| ADJUSTER,CABLE (Ref # 3) | 16002-014 | |
| NUT-CABLE ADJUST LOCK (Ref # 4) | 16003-006 | |
| CAP,MIXING CHAMBER (Ref # 5) | 16004-025 | |
| SPRING,THROTTLE VALV (Ref # 6) | 16006-023 | |
| CIRCLIP (Ref # 7) | 16008-010 | |
| JET NEEDLE 4EJ3 (Ref # 8) | 16009-040 | |
| SPRING SEAT,THRTL VLV (Ref # 9) | 16007-025 | |
| NEEDLE JET,0-2 (Ref # 10) | 16017-082 | |
| VALVE,THROTTLE (Ref # 11) | 16025-079 | |
| CAP,STARTER PLUNGER (Ref # 12) | 16036-012 | |
| CIRCLIP (Ref # 13) | 92037-1077 | |
| CAP,STARTER PLUNGER (Ref # 14) | 16012-021 | |
| SPRING,STARTER PLUNGR (Ref # 15) | 16013-010 | |
| PLUNGER,STARTER (Ref # 16) | 16016-014 | |
| SCREW,THROTTLE STOP (Ref # 17) | 16021-023 | |
| SPRING THR STOP SCREW (Ref # 18) | 16022-005 | |
| SPRING-THR STOP SCREW (Ref # 19) | 16022-007 | |
| SCREW PILOT AIR ADJST (Ref # 20) | 16014-002 | |
| PIPE,FUEL (Ref # 21) | 92059-109 | |
| GASKET,FLOAT CHAMBER (Ref # 22) | 16019-023 | |
| FLOAT PIN (Ref # 23) | 16032-006 | |
| FLOAT (Ref # 24) | 16031-026 | |
| JET-PILOT NO 35 (Ref # 25) | 92064-023 | |
| WASHER FLOAT VLV SEAT (Ref # 26) | 16029-004 | |
| FLOAT VALVE ASSY (Ref # 27) | 16030-005 | |
| SCREW-PAN-WS-CROS (Ref # 28) | 223B0414 | |
| RING,MAIN JET (Ref # 29) | 16008-012 | |

1975 KX125-A PARTS LIST

CARBURETOR ('74-'76 KX125/A/A3)

| ITEM NAME | PART NUMBER | QUANTITY |
|----------------------------------|-------------|----------|
| GASKET,MAIN JET COVER (Ref # 30) | 16034-008 | |
| JET-MAIN NO 107.5R (Ref # 31) | 92063-073 | |
| MAIN JET,#A102.5 (Ref # 31) | 92063-1028 | |
| MAIN JET,#A105R (Ref # 31) | 92063-1042 | |
| MAIN JET,#110R (Ref # 31) | 92063-1038 | |
| JET-MAIN NO 112.5R (Ref # 31) | 92063-075 | |
| BOLT,BANJO (Ref # 32) | 92001-146 | |
| GROMMET,OVERFLOW PIPE (Ref # 33) | 16136-010 | |
| GROMMET,FUEL PIPE (Ref # 34) | 92071-083 | |
| GROMMET,FUEL PIPE (Ref # 34) | 92071-090 | |
| CLAMP FUEL PIPE (Ref # 35) | 92037-010 | |
| KNOB,CARBURETOR (Ref # 36) | 92077-022 | |
| PIN COTTER 1.6X15 (Ref # 37) | 550D1615 | |