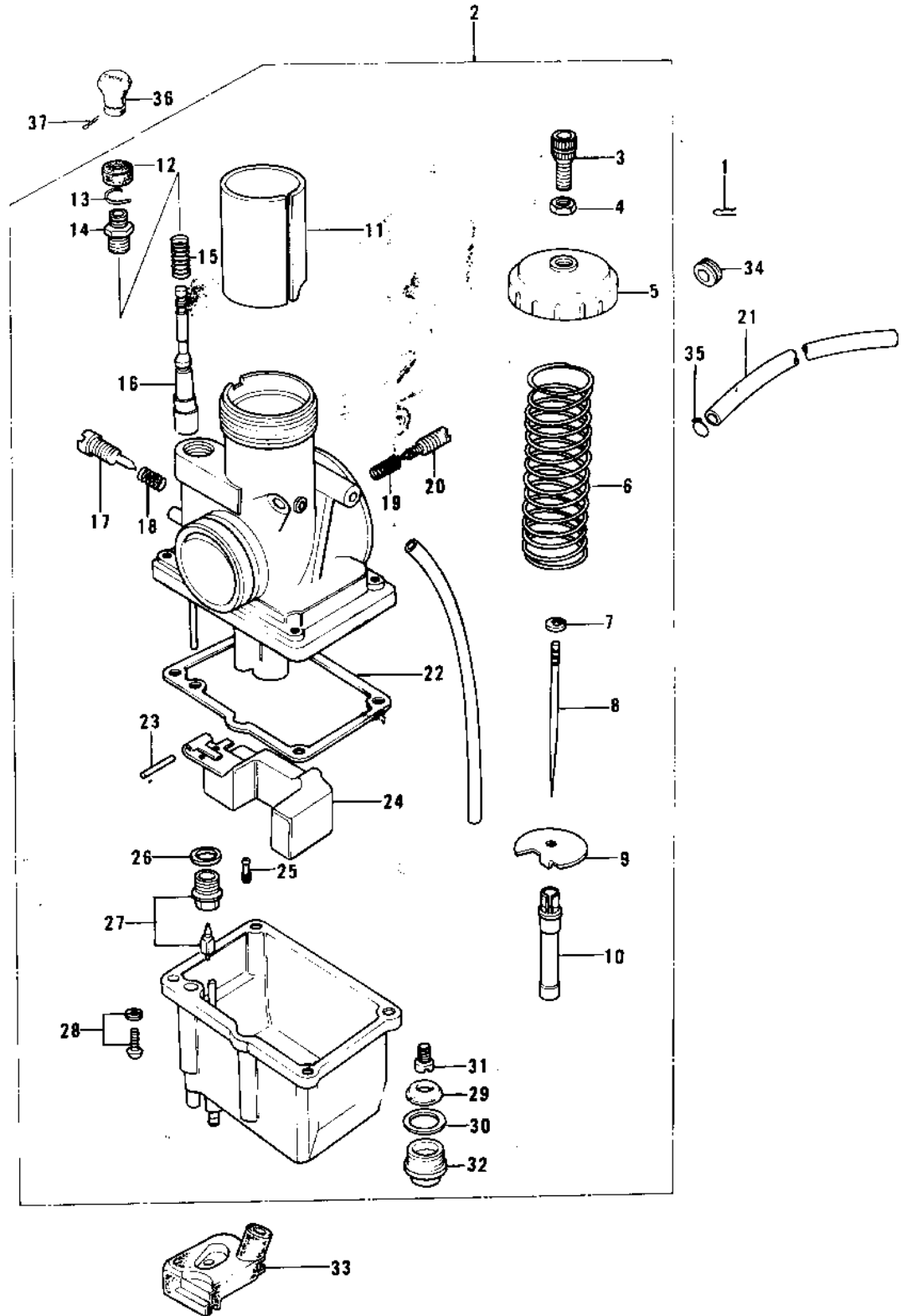


# 1976 KX125-A3 PARTS DIAGRAM

CARBURETOR ('74-'76 KX125/A/A3)



# 1976 KX125-A3 PARTS LIST

CARBURETOR ('74-'76 KX125/A/A3)

ITEM NAME	PART NUMBER	QUANTITY
CIRCLIP (Ref # 1)	92036-018	
CARBURETOR (Ref # 2)	16001-208	
ADJUSTER,CABLE (Ref # 3)	16002-014	
NUT-CABLE ADJUST LOCK (Ref # 4)	16003-006	
CAP,MIXING CHAMBER (Ref # 5)	16004-025	
SPRING,THROTTLE VALV (Ref # 6)	16006-023	
CIRCLIP (Ref # 7)	16008-010	
JET NEEDLE 4EJ3 (Ref # 8)	16009-040	
SPRING SEAT,THRTL VLV (Ref # 9)	16007-025	
NEEDLE JET,0-2 (Ref # 10)	16017-082	
VALVE,THROTTLE (Ref # 11)	16025-079	
CAP,STARTER PLUNGER (Ref # 12)	16036-012	
CIRCLIP (Ref # 13)	92037-1077	
CAP,STARTER PLUNGER (Ref # 14)	16012-021	
SPRING,STARTER PLUNGR (Ref # 15)	16013-010	
PLUNGER,STARTER (Ref # 16)	16016-014	
SCREW,THROTTLE STOP (Ref # 17)	16021-023	
SPRING THR STOP SCREW (Ref # 18)	16022-005	
SPRING-THR STOP SCREW (Ref # 19)	16022-007	
SCREW PILOT AIR ADJST (Ref # 20)	16014-002	
PIPE,FUEL (Ref # 21)	92059-109	
GASKET,FLOAT CHAMBER (Ref # 22)	16019-023	
FLOAT PIN (Ref # 23)	16032-006	
FLOAT (Ref # 24)	16031-026	
JET-PILOT NO 35 (Ref # 25)	92064-023	
WASHER FLOAT VLV SEAT (Ref # 26)	16029-004	
FLOAT VALVE ASSY (Ref # 27)	16030-005	
SCREW-PAN-WS-CROS (Ref # 28)	223B0414	
RING,MAIN JET (Ref # 29)	16008-012	

# 1976 KX125-A3 PARTS LIST

CARBURETOR ('74-'76 KX125/A/A3)

ITEM NAME	PART NUMBER	QUANTITY
GASKET,MAIN JET COVER (Ref # 30)	16034-008	
JET-MAIN NO 107.5R (Ref # 31)	92063-073	
MAIN JET,#A102.5 (Ref # 31)	92063-1028	
MAIN JET,#A105R (Ref # 31)	92063-1042	
MAIN JET,#110R (Ref # 31)	92063-1038	
JET-MAIN NO 112.5R (Ref # 31)	92063-075	
BOLT,BANJO (Ref # 32)	92001-146	
GROMMET,OVERFLOW PIPE (Ref # 33)	16136-010	
GROMMET,FUEL PIPE (Ref # 34)	92071-083	
GROMMET,FUEL PIPE (Ref # 34)	92071-090	
CLAMP FUEL PIPE (Ref # 35)	92037-010	
KNOB,CARBURETOR (Ref # 36)	92077-022	
PIN COTTER 1.6X15 (Ref # 37)	550D1615	