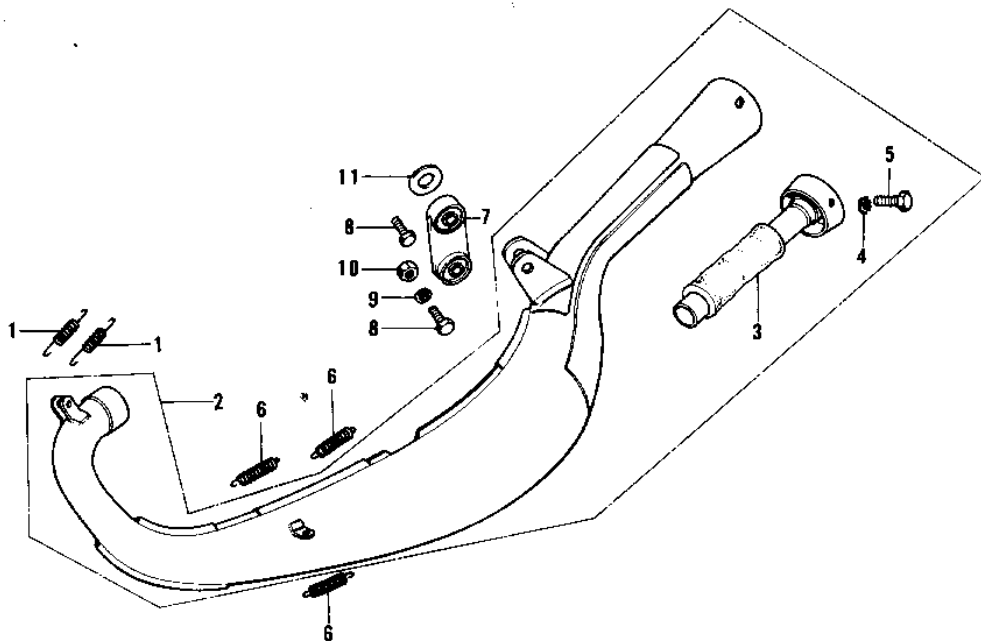
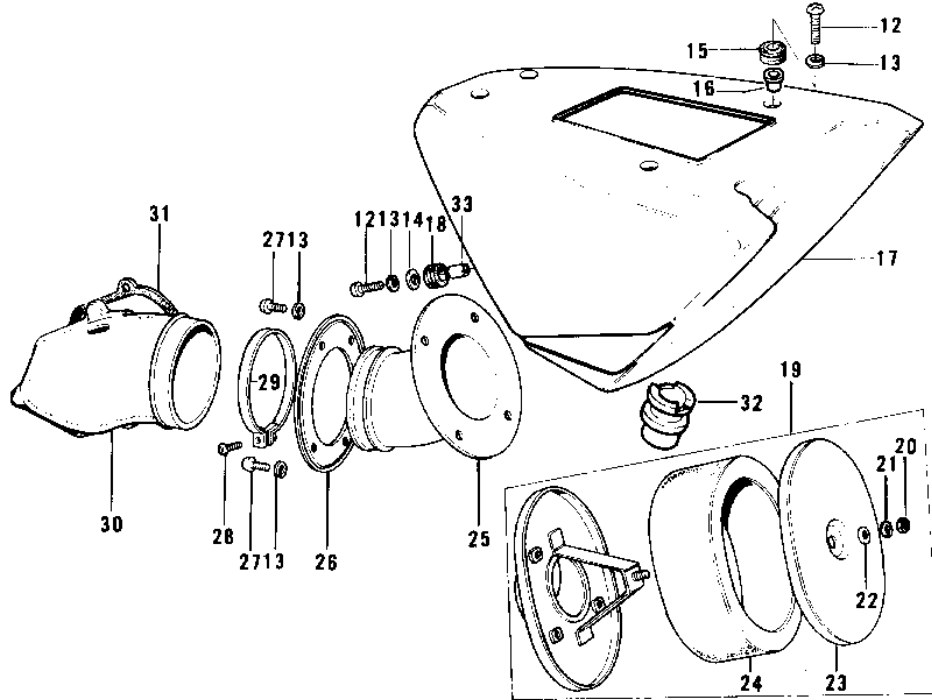


1975 KX125-A PARTS DIAGRAM

AIR CLEANER/MUFFLER



1975 KX125-A PARTS LIST

AIR CLEANER/MUFFLER

ITEM NAME	PART NUMBER	QUANTITY
SPRING-CONNECTOR (Ref # 1)	18071-003	
MUFFLER ASSY (Ref # 2)	18002-117	
BAFFLE TUBE (Ref # 3)	18033-082	
WASHER LOCK 6MM (Ref # 4)	464H0600	
BOLT-UPSET,6X12 (Ref # 5)	112G0612	
SPRING,MUFFLER (Ref # 6)	18071-006	
BRACKET,MUFFLER (Ref # 7)	18024-022	
BOLT HEX HEAD 8X35 (Ref # 8)	110N0835	
WASHER SPRING 8MM (Ref # 9)	461F0800	
NUT,8MM (Ref # 10)	92019-018	
WASHER PLAIN 12MM (Ref # 11)	411B1200	
SCREW PAN HEAD 6X20 (Ref # 12)	220B0620	
WASHER SPRING 6MM (Ref # 13)	461F0600	
WASHER PLAIN (Ref # 14)	92022-024	
DAMPER RUBBER (Ref # 15)	92075-076	
COLLAR (Ref # 16)	92027-194	
BODY,AIR CLEANER (Ref # 17)	11011-037	
DAMPER RUBBER (Ref # 18)	92075-107	
AIR CLEANER ASSY (Ref # 19)	11010-075	
NUT,6MM (Ref # 20)	92019-019	
WASHER SPRING 6MM (Ref # 21)	461F0600	
WASHER PLAIN 6MM (Ref # 22)	411B0600	
CAP,AIR CLEANER (Ref # 23)	11012-035	
ELEMENT,AIR,CLNR (Ref # 24)	11013-041	
CONNECTOR (Ref # 25)	11026-011	
SCAP,CONNECTOR (Ref # 26)	11012-044	
SCREW PAN HEAD 6X16 (Ref # 27)	220B0616	
SCREW PAN HEAD 5X35 (Ref # 28)	220B0535	
SCREW PAN HEAD 5X40 (Ref # 28)	220B0540A	

1975 KX125-A PARTS LIST

AIR CLEANER/MUFFLER

ITEM NAME	PART NUMBER	QUANTITY
CLAMP (Ref # 29)	92037-106	
INLET PIPE (Ref # 30)	11015-044	
GASKET,INLET PIPE (Ref # 31)	11017-012	
PLUG,AIR CLEANER BODY (Ref # 32)	92067-019	
COLLAR,6.8X10X8.5 (Ref # 33)	92027-129	