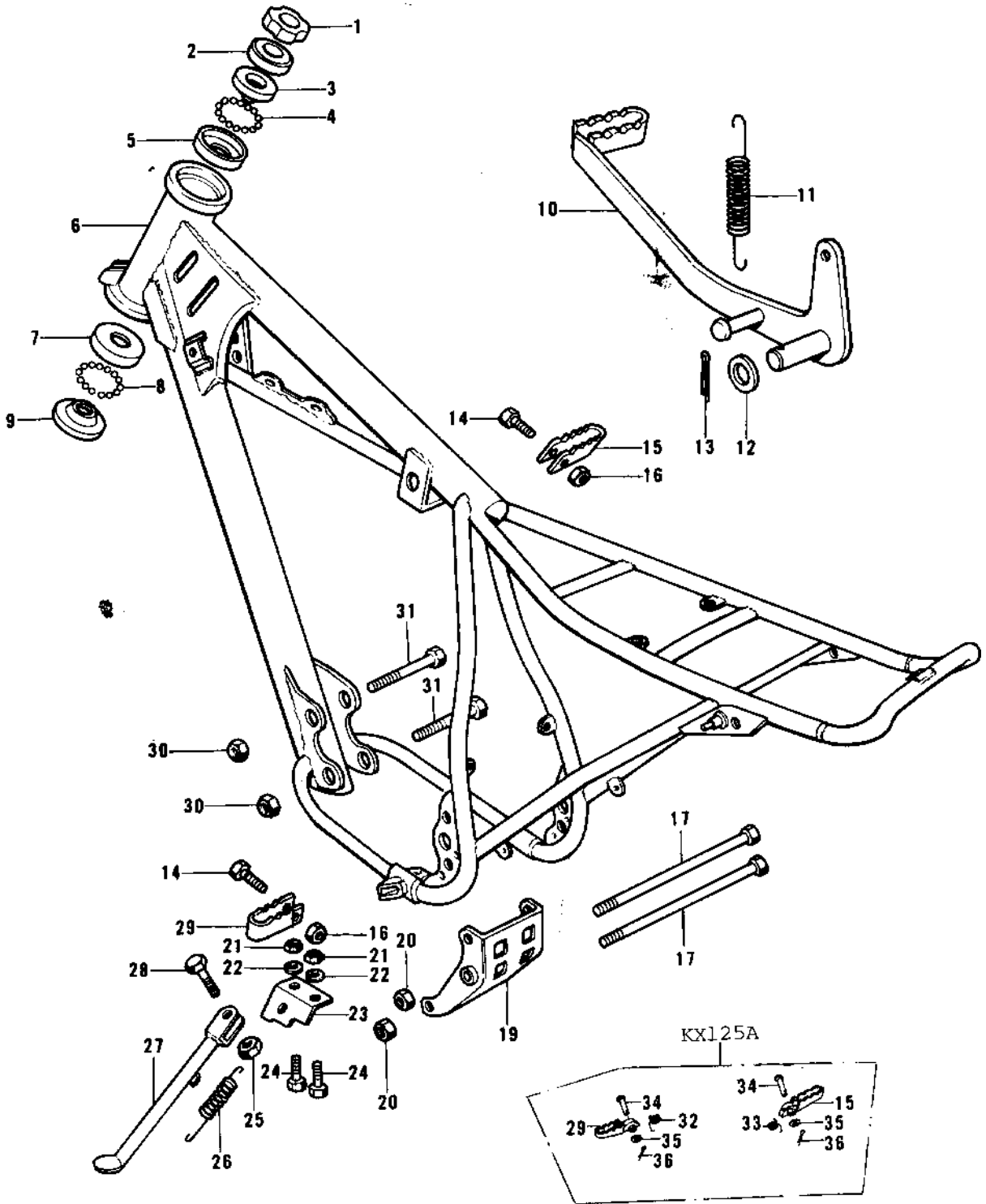


# 1975 KX125-A PARTS DIAGRAM

FRAME/FRAME FITTINGS



# 1975 KX125-A PARTS LIST

## FRAME/FRAME FITTINGS

ITEM NAME	PART NUMBER	QUANTITY
NUT,STEERING STEM (Ref # 1)	92090-022	
CAP,STEERING STEM (Ref # 2)	46098-012	
CONE,STRG STM BRG,UP (Ref # 3)	92047-014	
BALL STEEL 3/16' (Ref # 4)	600A0600	
RACE,STRG STM BEARING (Ref # 5)	92048-009	
FRAME (Ref # 6)	32002-091	
FRAME (Ref # 6)	32002-112	
RACE STEERING BEARING (Ref # 7)	92048-005	
BALL STEEL 1/4' (Ref # 8)	600A0800	
CONE STERNG BERG LOW (Ref # 9)	92047-010	
PEDAL,BRAKE (Ref # 10)	43001-063	
SPRING,BRAKE PEDAL (Ref # 11)	43005-026	
WASHER PLAIN 12MM (Ref # 12)	410B1200	
PIN COTTER 2.5X20 (Ref # 13)	550D2520	
BOLT,HEX HEAD,8X38 (Ref # 14)	110B0838	
BAR,R.H FOOTREST (Ref # 15)	34028-018	
BAR,FOOTREST,R.H (Ref # 15)	34028-026	
NUT,8MM (Ref # 16)	92019-018	
BOLT,HEX HEAD,10X125 (Ref # 17)	92001-1248	
BRACKET,ENGINE (Ref # 19)	32117-007	
NUT,10MM (Ref # 20)	92019-016	
NUT 8MM (Ref # 21)	312B0800	
WASHER SPRING 8MM (Ref # 22)	461F0800	
BRACKET,SIDE STAND (Ref # 23)	34008-009	
BOLT-SMALL-UPSET,8X22 (Ref # 24)	115B0822	
NUT 10MM (Ref # 25)	315B1000	
SPRING-SIDE STAND (Ref # 26)	34025-004	
STAND-SIDE (Ref # 27)	34024-045	
BOLT,10X28 (Ref # 28)	113G1028	

# 1975 KX125-A PARTS LIST

## FRAME/FRAME FITTINGS

ITEM NAME	PART NUMBER	QUANTITY
BAR,L.H FOOTREST (Ref # 29)	34028-017	
BAR,FOOTREST,L.H (Ref # 29)	34028-025	
NUT,8MM (Ref # 30)	92019-018	
BOLT,HEX HEAD,8X65 (Ref # 31)	110B0865	
SPRING,L.H,FOOTREST (Ref # 32)	92081-1254	
SPRING,R.H,FOOTREST (Ref # 33)	92081-1255	
PIN,FOOTREST BAR FIT (Ref # 34)	92043-115	
WASHER PLAIN 8MM (Ref # 35)	410B0800	
PIN,COTTER,2.5X15 (Ref # 36)	550D2515	