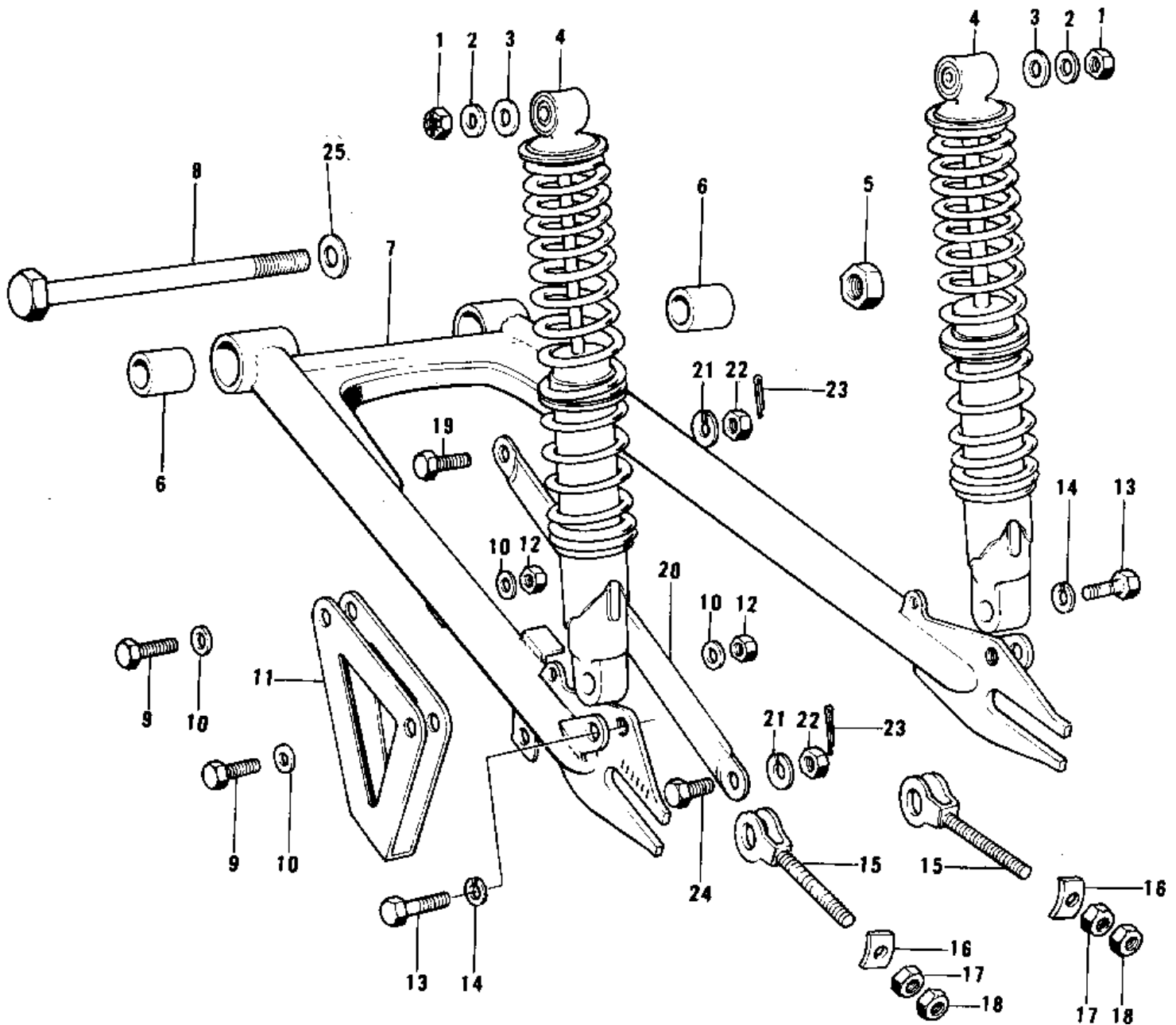


1975 KX125-A PARTS DIAGRAM

SWING ARM/SHOCK ABSORBERS ('74-'76 KX125)



1975 KX125-A PARTS LIST

SWING ARM/SHOCK ABSORBERS (74-76 KX125)

ITEM NAME	PART NUMBER	QUANTITY
NUT,10MM (Ref # 1)	92019-016	
WASHER-PL-10.5X26X2.3 (Ref # 2)	92022-044	
WASHER PLAIN 12MM (Ref # 3)	410B1200	
SHOCK ABSBR RR (Ref # 4)	45014-099	
NUT,12MM (Ref # 5)	92019-017	
BUSHING,SWING ARM (Ref # 6)	33033-012	
SWING ARM (Ref # 7)	33001-072	
SHAFT-SWING ARM PIVOT (Ref # 8)	33032-034	
BOLT-UPSET (Ref # 9)	112G0645	
WASHER 6.5X20X1.6T (Ref # 10)	92022-125	
GUARD,CHAIN (Ref # 11)	55020-015	
NUT,6MM (Ref # 12)	92019-019	
BOLT HEX HEAD 10X35 (Ref # 13)	113N1035	
WASHER SPRING 10MM (Ref # 14)	461F1000	
ADJUSTER,CHAIN (Ref # 15)	33040-057	
PLATE-CHAIN ADJUSTER (Ref # 16)	33041-002	
NUT,8MM (Ref # 17)	311B0800	
NUT,8MM (Ref # 18)	92019-018	
BOLT,HEX HEAD,AX24 (Ref # 19)	92003-143	
TORQUE LINK,REAR BRK (Ref # 20)	43007-039	
WASHER SPRING 8MM (Ref # 21)	461F0800	
NUT,8MM (Ref # 22)	320B0800	
PIN COTTER 2.0X20 (Ref # 23)	550D2020	
BOLT,RR TORQUE LINK (Ref # 24)	92003-144	
WASHER PLAIN 12MM (Ref # 25)	410B1200	