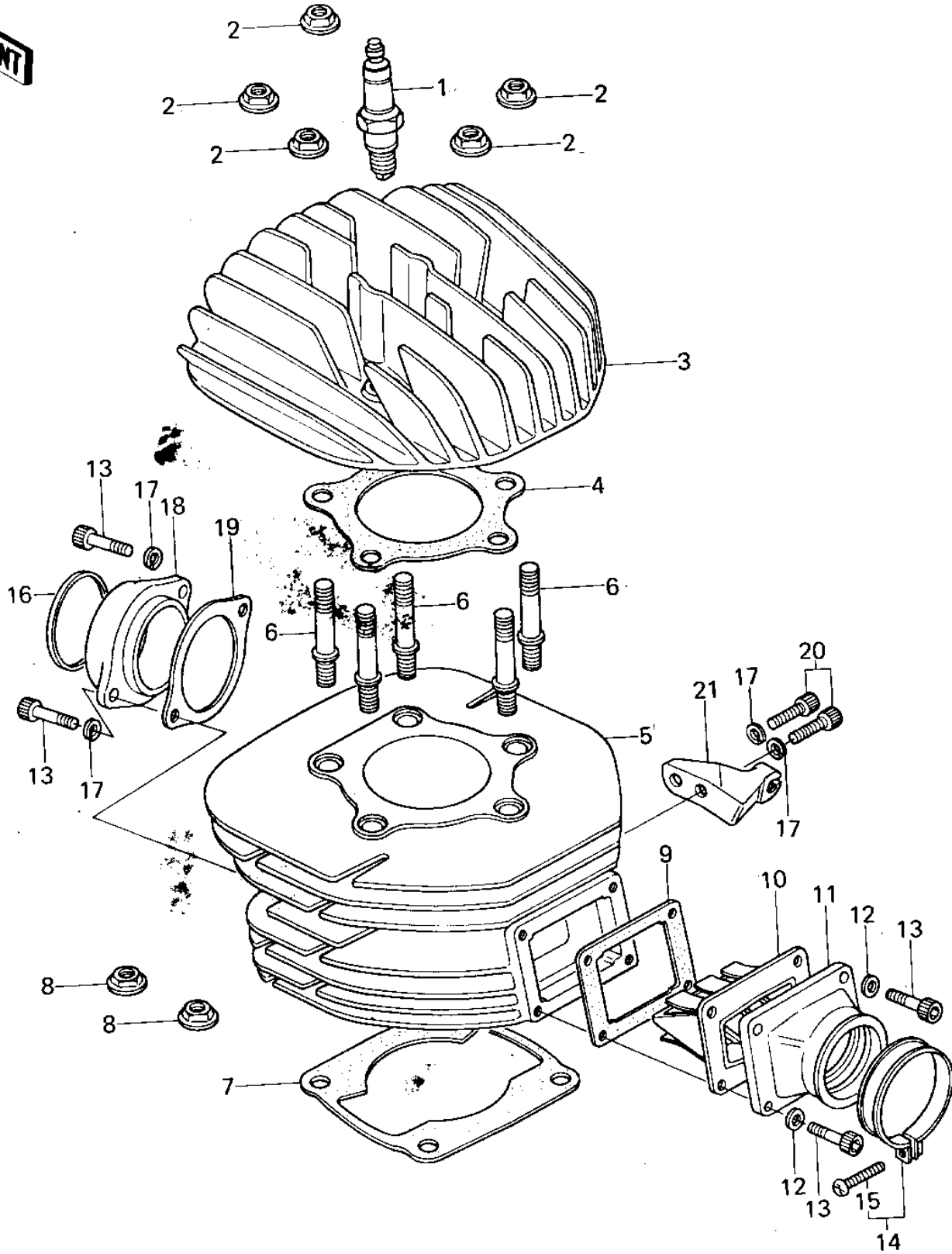


1979 KX125-A5 PARTS DIAGRAM

CYLINDER HEAD/CYLINDER / REED VALVE



1979 KX125-A5 PARTS LIST

CYLINDER HEAD/CYLINDER /REED VALVE

ITEM NAME	PART NUMBER	QUANTITY
SPARK PLUG B9EV (Ref # 1)	B9EV	
SPARK PLUG BR9EV (Ref # 1)	92070-3002	
NUT,8M/M (Ref # 2)	92015-1014	
CYLINDER HEAD,F.BLACK (Ref # 3)	11001-1005-21	
GASKET,CYLINDER HEAD (Ref # 4)	11004-1006	
CYLINDER, FLAT BLACK (Ref # 5)	11005-1010-21	
CYLINDER,ELECTRO-FUSE (Ref # 5)	11005-1040	
STUD,8X35 (Ref # 6)	92004-1011	
GASKET,CYLINDER (Ref # 7)	11009-1042	
NUT,8M/M (Ref # 8)	92015-1014	
GASKET,REED VALVE (Ref # 9)	11009-1018	
VALVE ASSY,REED (Ref # 10)	12021-1001	
VALVE ASSY,REED (Ref # 10)	12021-1007	
HOLDER,CARBURETOR (Ref # 11)	16065-1007	
WASHER,PLAIN,6MM (Ref # 12)	410B0600	
BOLT,SOCKET,6X25,BLAC (Ref # 13)	120S0625	
CLAMP-INLET PIPE (Ref # 14)	92037-061	
SCREW,PAN HEAD (Ref # 15)	92011-037	
GASKET,EXHAUST HOLDER (Ref # 15)	11009-1124	
WASHER SPRING 6MM (Ref # 17)	461F0600	
HOLDER,EXHAUST PIPE (Ref # 18)	18069-1002	
HOLDER,EXHAUST PIPE (Ref # 18)	18069-1009	
GASKET,EXHAUST HOLDER (Ref # 19)	11009-1043	
BOLT-SOCKET,6X20 (Ref # 20)	120S0620	
HOLDER,CLUTCH CABLE (Ref # 21)	14044-1003	