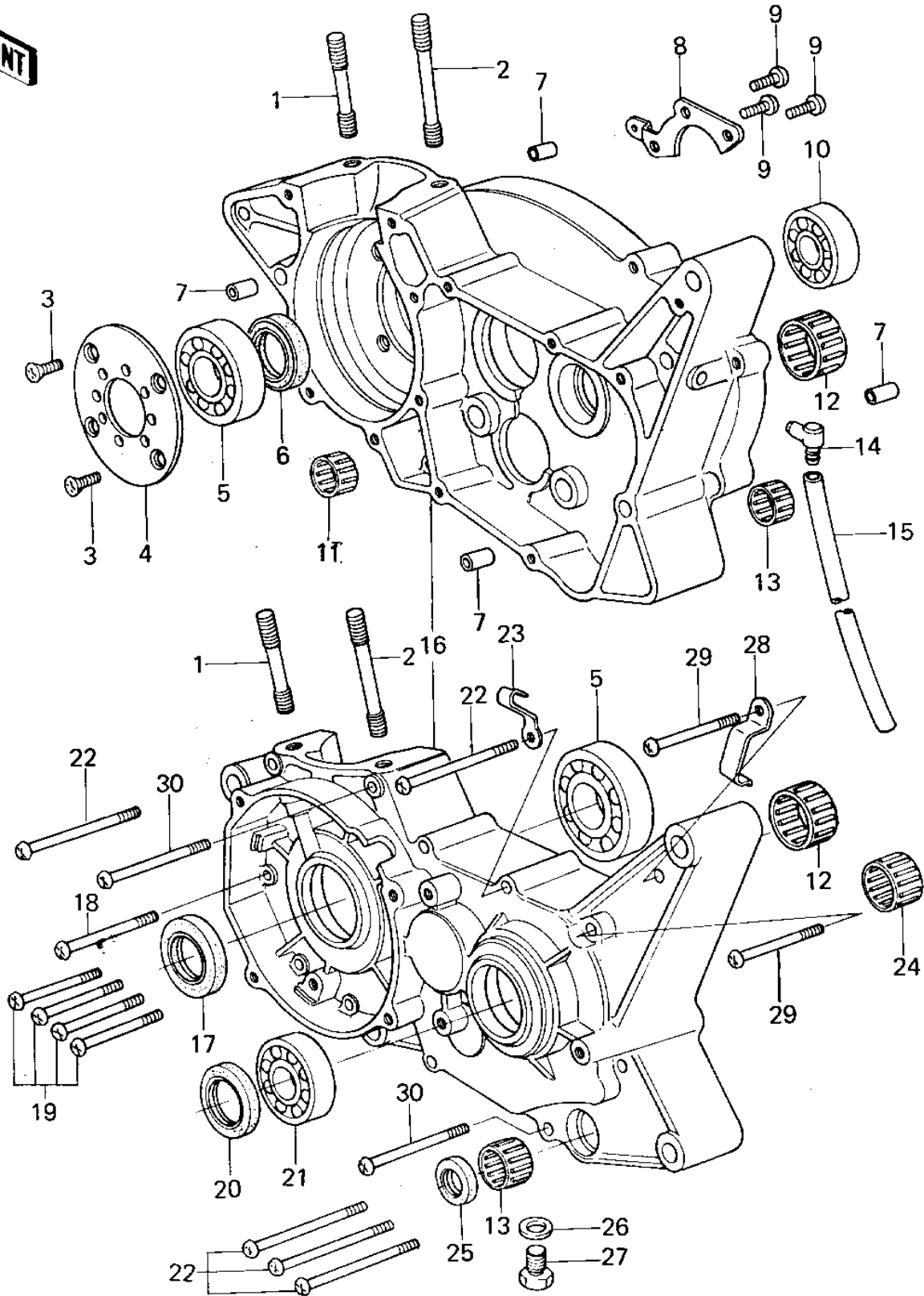


# 1979 KX125-A5 PARTS DIAGRAM

CRANKCASE ('78-'79 KX125-A4/A5)



# 1979 KX125-A5 PARTS LIST

CRANKCASE ('78-'79 KX125-A4/A5)

ITEM NAME	PART NUMBER	QUANTITY
STUD,8X25 (Ref # 1)	92004-1008	
STUD,8X56 (Ref # 2)	92004-1010	
SCREW CNTSNK HD 6X16 (Ref # 3)	221B0616	
SCREW CNTSNK HD 6X14 (Ref # 3)	221B0614	
PLATE,POSITIONING (Ref # 4)	14014-1002	
BEARING,BALL (Ref # 5)	92045-1006	
SEAL-OIL (Ref # 6)	92049-1250	
PIN,DOWEL,10X8.2X14 (Ref # 7)	92043-1037	
PLATE,POSITIONING (Ref # 8)	14014-1003	
SCREW PAN HEAD 6X16 (Ref # 9)	220B0616	
BEARING BALL #6303 (Ref # 10)	601B6303	
BEARING,NEEDLE (Ref # 11)	92046-043	
BEARING,NEEDLE (Ref # 12)	92046-1006	
BEARING,NEEDLE (Ref # 13)	92046-1008	
BREATHER (Ref # 14)	14069-003	
PIPE-BREATHER (Ref # 15)	92059-061	
CRANKCASE SET (Ref # 16)	14001-5013	
CRANKCASE SET (Ref # 16)	14001-5026	
OIL SEAL (Ref # 17)	92049-1010	
SCREW PAN HEAD 6X55 (Ref # 18)	220B0655	
SCREW PAN HEAD 6X45 (Ref # 19)	220B0645	
OIL SEAL SC25376 (Ref # 20)	92050-013	
BEARING,BALL (Ref # 21)	92045-1007	
SCREW PAN HEAD 6X70 (Ref # 22)	220B0670	
CLAMP CABLE (Ref # 23)	92037-016	
BEARING,NEEDLE (Ref # 24)	92046-1007	
OIL SEAL,TB13225.5 (Ref # 25)	92051-005	
GASKET CHECK VALVE (Ref # 26)	92065-058	
PLUG OIL DRAIN (Ref # 27)	92067-001	

# 1979 KX125-A5 PARTS LIST

CRANKCASE ('78-'79 KX125-A4/A5)

ITEM NAME	PART NUMBER	QUANTITY
CLAMP (Ref # 28)	92037-1073	
SCREW PAN HEAD 6X50 (Ref # 29)	220B0650	
SCREW PAN HEAD 6X60 (Ref # 30)	220B0660	