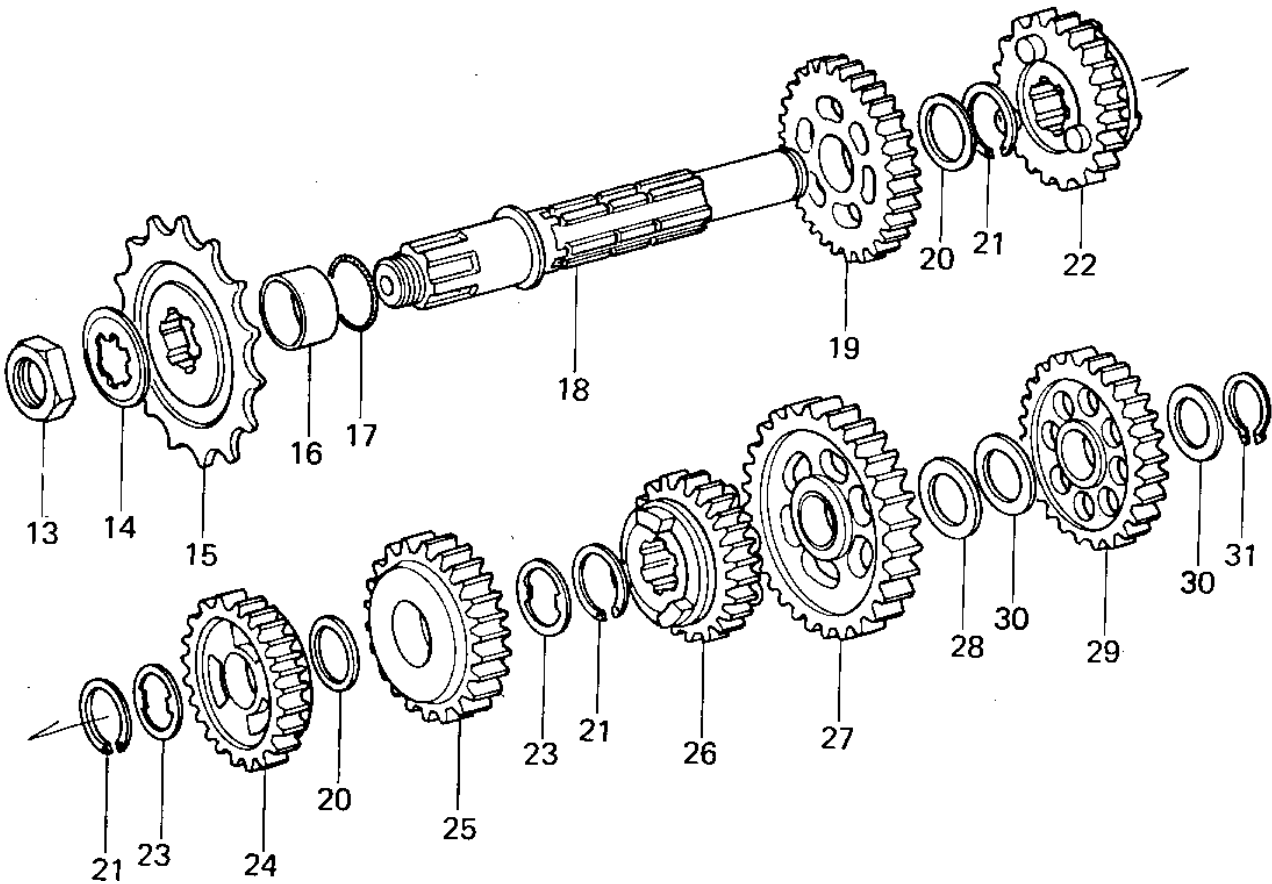
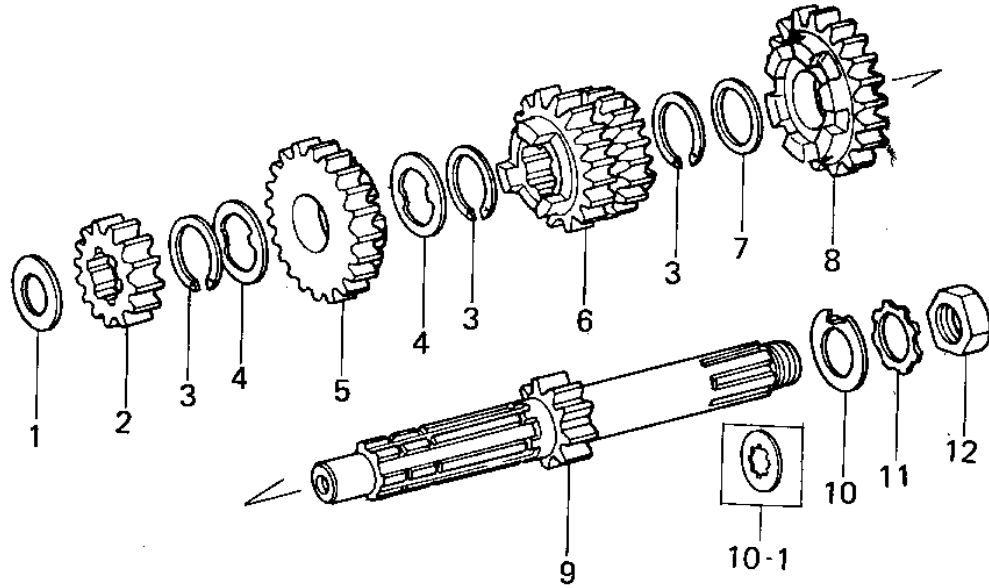


# 1978 KX125-A4 PARTS DIAGRAM

## TRANSMISSION



# 1978 KX125-A4 PARTS LIST

## TRANSMISSION

ITEM NAME	PART NUMBER	QUANTITY
WASHER,THRUST,15MM (Ref # 1)	92022-279	1
2ND GEAR,DRIVE,14T (Ref # 2)	13129-1063	1
2NDGEAR,DRIVE,SHAFT (Ref # 2)	13129-1119	1
CIRCLIP,18MM (Ref # 3)	92033-029	3
WASHER,LOCK (Ref # 4)	92024-059	2
TOP GEAR,DRIVE,22T (Ref # 5)	13129-1066	1
3RD & 4TH GEAR,DRIVE (Ref # 6)	13129-1064	1
3RD&4THGEAR,DRIVE,SFT (Ref # 6)	13129-1120	1
WASHER (Ref # 7)	92022-252	1
5TH GER,DRIVE,21T (Ref # 8)	13129-1065	1
SHAFT,DRIVE (Ref # 9)	13127-1005	1
SHAFT,DRIVE (Ref # 9)	13127-1015	1
WASHER,16.8X32X1.6 (Ref # 10)	92022-1277	1
WASHER,LOCK (Ref # 10-1)	92022-1124	1
WASHER,LOCK,16MM (Ref # 11)	464H1600	1
NUT 16MM (Ref # 12)	92016-036	1
NUT,LOCK,18M/M (Ref # 13)	92015-1029	1
WASHER,LOCK (Ref # 14)	92022-1047	1
ENGINE SPROCKET,14T (Ref # 15)	13144-1007	1
ENGINE SPROCKET,1ST (Ref # 15)	13144-054	1
COLLAR (Ref # 16)	92027-1068	1
"O" RING (Ref # 17)	92055-022	1
SHAFT,OUTPUT (Ref # 18)	13128-1021	1
SHAFT,OUTPUT (Ref # 18)	13128-1021	1
2ND GEAR,OUTPUT,24T (Ref # 19)	13129-1068	1
2ND GEAR,OUTPUT SHAFT (Ref # 19)	13129-1122	1
WASHER (Ref # 20)	92022-252	2
CIRCLIP,18MM (Ref # 21)	92033-029	3
TOP GEAR,OUTPUT,20T (Ref # 22)	13129-1072	1

# 1978 KX125-A4 PARTS LIST

## TRANSMISSION

ITEM NAME	PART NUMBER	QUANTITY
WASHER,LOCK (Ref # 23)	92024-059	2
4TH GEAR,OUTPUT,23T (Ref # 24)	13129-1070	1
4THGEAR,OUTPUT SHAFT (Ref # 24)	13129-1124	1
3RD GEAR,OUTPUT,22T (Ref # 25)	13129-1069	1
3RD GEAR,OUTPUT SHAFT (Ref # 25)	13129-1123	1
5TH GEAR,OUTPUT,21T (Ref # 26)	13129-1071	1
LOW GEAR,OUTPUT,27T (Ref # 27)	13129-1067	1
LOW GEAR,OUTPUT SHAFT (Ref # 27)	13129-1121	1
WASHER,PLAIN (Ref # 28)	92022-1048	1
IDLE GEAR,KICKSTARTER (Ref # 29)	59051-1009	1
WASHER,PLAIN (Ref # 30)	92022-1045	1
CIRCLIP 15MM (Ref # 31)	480J1500	1