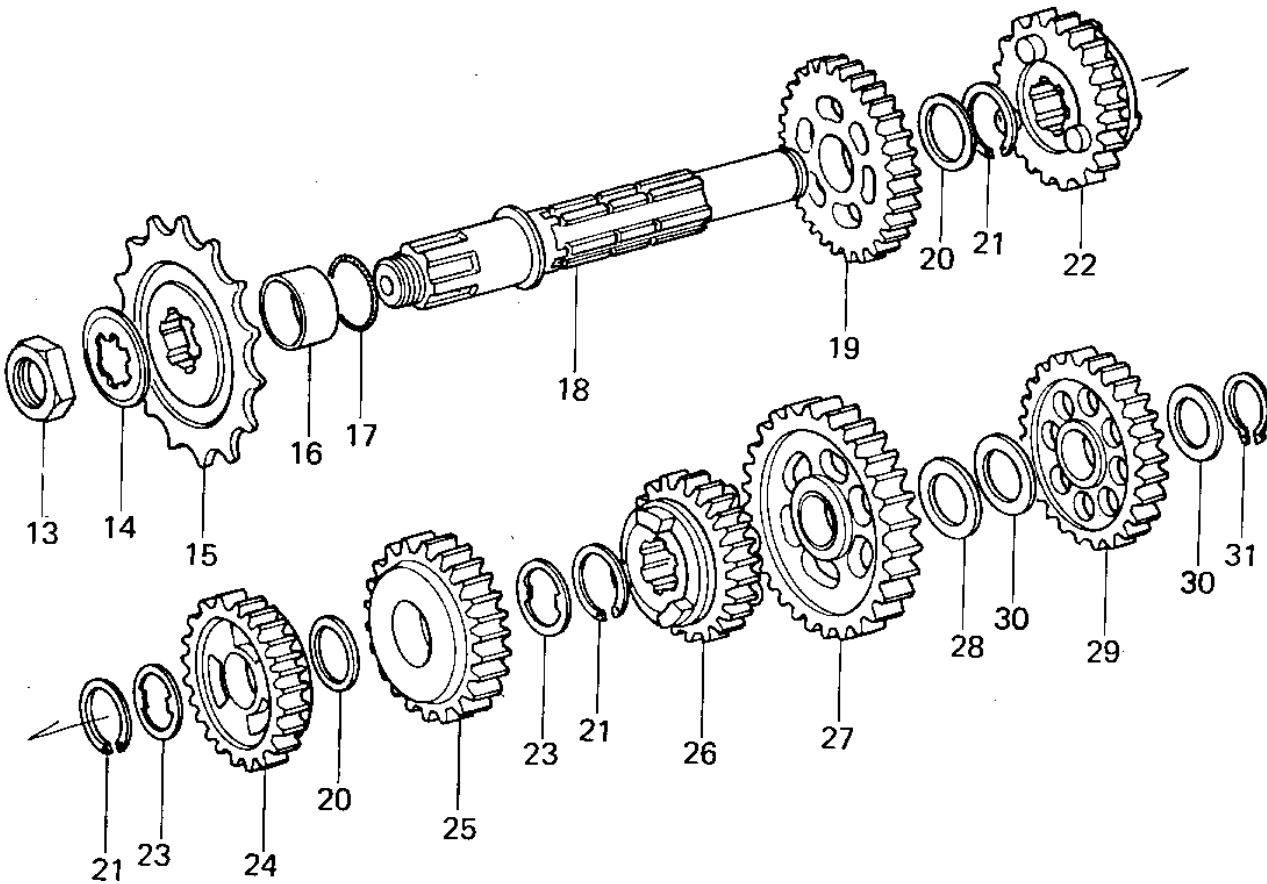
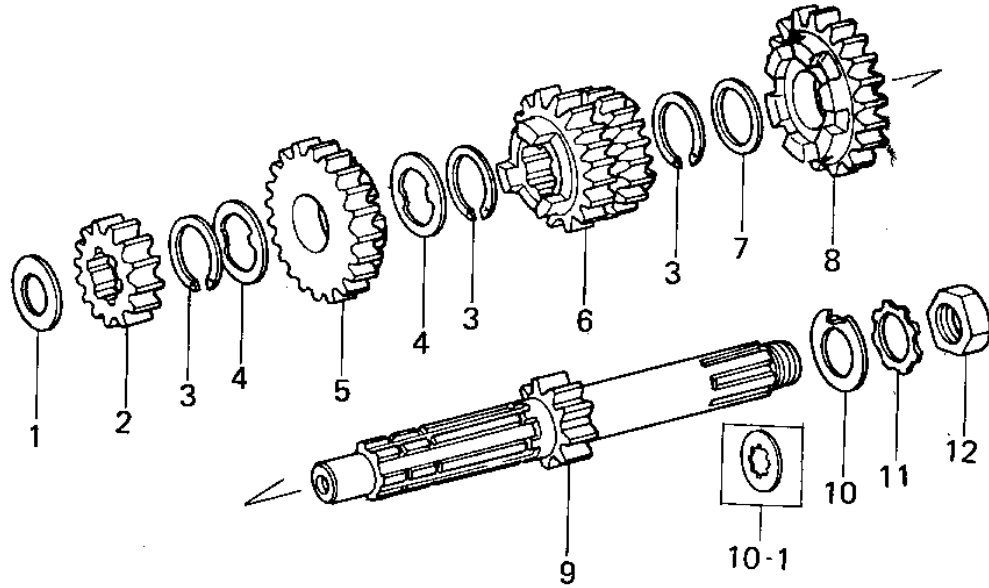


1979 KX125-A5 PARTS DIAGRAM

TRANSMISSION



1979 KX125-A5 PARTS LIST

TRANSMISSION

ITEM NAME	PART NUMBER	QUANTITY
WASHER,THRUST,15MM (Ref # 1)	92022-279	
2ND GEAR,DRIVE,14T (Ref # 2)	13129-1063	
2NDGEAR,DRIVE,SHAFT (Ref # 2)	13129-1119	
CIRCLIP,18MM (Ref # 3)	92033-029	
WASHER,LOCK (Ref # 4)	92024-059	
TOP GEAR,DRIVE,22T (Ref # 5)	13129-1066	
3RD & 4TH GEAR,DRIVE (Ref # 6)	13129-1064	
3RD&4THGEAR,DRIVE,SFT (Ref # 6)	13129-1120	
WASHER (Ref # 7)	92022-252	
5TH GER,DRIVE,21T (Ref # 8)	13129-1065	
SHAFT,DRIVE (Ref # 9)	13127-1005	
SHAFT,DRIVE (Ref # 9)	13127-1015	
WASHER,16.8X32X1.6 (Ref # 10)	92022-1277	
WASHER,LOCK (Ref # 10-1)	92022-1124	
WASHER,LOCK,16MM (Ref # 11)	464H1600	
NUT 16MM (Ref # 12)	92016-036	
NUT,LOCK,18M/M (Ref # 13)	92015-1029	
WASHER,LOCK (Ref # 14)	92022-1047	
ENGINE SPROCKET,14T (Ref # 15)	13144-1007	
ENGINE SPROCKET,1ST (Ref # 15)	13144-054	
COLLAR (Ref # 16)	92027-1068	
"O" RING (Ref # 17)	92055-022	
SHAFT,OUTPUT (Ref # 18)	13128-1021	
SHAFT,OUTPUT (Ref # 18)	13128-1021	
2ND GEAR,OUTPUT,24T (Ref # 19)	13129-1068	
2ND GEAR,OUTPUT SHAFT (Ref # 19)	13129-1122	
WASHER (Ref # 20)	92022-252	
CIRCLIP,18MM (Ref # 21)	92033-029	
TOP GEAR,OUTPUT,20T (Ref # 22)	13129-1072	

1979 KX125-A5 PARTS LIST

TRANSMISSION

ITEM NAME	PART NUMBER	QUANTITY
WASHER,LOCK (Ref # 23)	92024-059	
4TH GEAR,OUTPUT,23T (Ref # 24)	13129-1070	
4THGEAR,OUTPUT SHAFT (Ref # 24)	13129-1124	
3RD GEAR,OUTPUT,22T (Ref # 25)	13129-1069	
3RD GEAR,OUTPUT SHAFT (Ref # 25)	13129-1123	
5TH GEAR,OUTPUT,21T (Ref # 26)	13129-1071	
LOW GEAR,OUTPUT,27T (Ref # 27)	13129-1067	
LOW GEAR,OUTPUT SHAFT (Ref # 27)	13129-1121	
WASHER,PLAIN (Ref # 28)	92022-1048	
IDLE GEAR,KICKSTARTER (Ref # 29)	59051-1009	
WASHER,PLAIN (Ref # 30)	92022-1045	
CIRCLIP 15MM (Ref # 31)	480J1500	