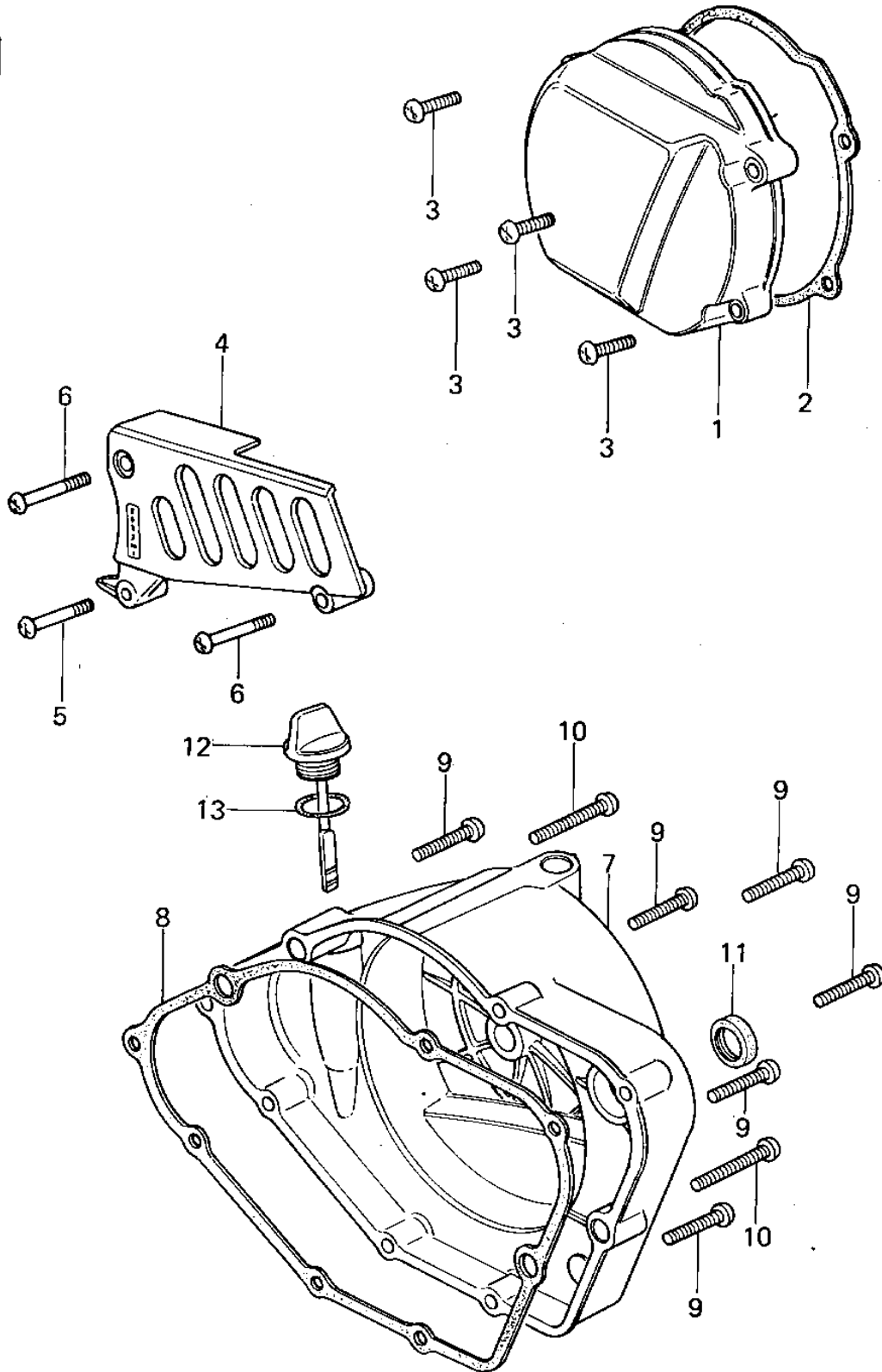


1979 KX125-A5 PARTS DIAGRAM

ENGINE COVERS (78-'79 KX125-A4/A5)



1979 KX125-A5 PARTS LIST

ENGINE COVERS ('78-'79 KX125-A4/A5)

ITEM NAME	PART NUMBER	QUANTITY
COVER,L.H ENGINE (Ref # 1)	14031-1013-21	
GASKET,L.H ENG COVER (Ref # 2)	11009-1041	
SCREW PAN HEAD 6X30 (Ref # 3)	220B0630	
COVER,FRONT CHAIN (Ref # 4)	14026-1012-21	
SCREW PAN HEAD 6X35 (Ref # 5)	220B0635	
SCREW PAN HEAD 6X40 (Ref # 6)	220B0640	
COVER,R.H.ENG F.BLCK (Ref # 7)	14032-1004-21	
GASKET,R.H ENGIN CVER (Ref # 8)	11009-1040	
SCREW PAN HEAD 6X30 (Ref # 9)	220B0630	
SCREW PAN HEAD 6X40 (Ref # 10)	220B0640	
OIL SEAL SB16244 (Ref # 11)	92049-002	
PLUG,OIL FILLER (Ref # 12)	16115-1001	
"O" RING,20MM (Ref # 13)	670B2020	