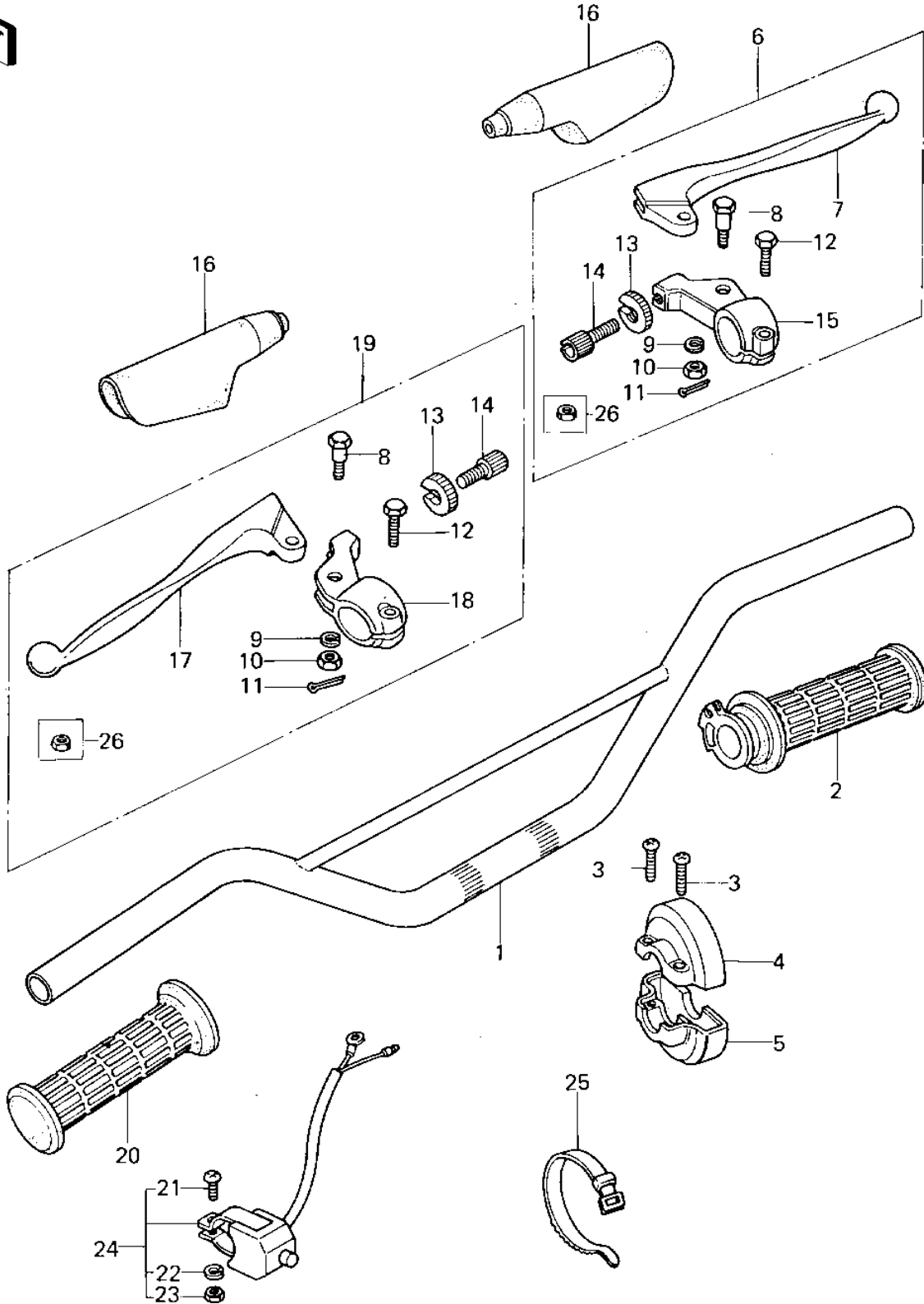


1979 KX125-A5 PARTS DIAGRAM

HANDLEBAR ('78-'79 KX125-A4/A5)



1979 KX125-A5 PARTS LIST

HANDLEBAR ('78-'79 KX125-A4/A5)

| ITEM NAME | PART NUMBER | QUANTITY |
|----------------------------------|--------------|----------|
| HANDLEBAR (Ref # 1) | 46003-1009 | |
| HANDLEBAR (Ref # 1) | 46003-1034 | |
| GRIP ASSY,THROTTLE (Ref # 2) | 46019-1002 | |
| GRIP ASSY,THROTTLE (Ref # 2) | 46019-1009 | |
| SCREW PAN HEAD 5X20 (Ref # 3) | 220B0520 | |
| CASE,R.H,GRIP,UPPER (Ref # 4) | 32099-1014 | |
| HOUSING-ASSY-CONTROL (Ref # 5) | 46091-5006 | |
| LEVER ASSY,FRONT BRAK (Ref # 6) | 46076-1003 | |
| FRONT BRAKE LEVER (Ref # 7) | 46058-018 | |
| BOLT,HEX HEAD,6MM (Ref # 8) | 92001-140 | |
| WASHER SPRING 6MM (Ref # 9) | 461F0600 | |
| NUT CASTLE (Ref # 10) | 320B0600 | |
| PIN COTTER 1.6X15 (Ref # 11) | 550D1615 | |
| BOLT-UPSET (Ref # 12) | 112N0620 | |
| NUT,CABLE ADJUST LOCK (Ref # 13) | 46056-006 | |
| SCREW,CABLE ADJUST (Ref # 14) | 46055-009 | |
| HOLDER,F.BRAKE LEVER (Ref # 15) | 46060-010-21 | |
| DUST COVER (Ref # 16) | 46071-003 | |
| LEVER, CLUTCH (Ref # 17) | 46092-021 | |
| HOLDER,CLUTCH LEVER (Ref # 18) | 46094-014-21 | |
| LEVER ASSY,CLUTCH (Ref # 19) | 46076-1004 | |
| GRIP ASSY,L.H GRIP (Ref # 20) | 46075-031 | |
| RUBBER,L.H.GRIP,L.GRE (Ref # 20) | 46075-1006 | |
| SCREW PAN HEAD 3X14 (Ref # 21) | 220E0314A | |
| WASHER SPRING 3MM (Ref # 22) | 461F0300 | |
| NUT-HEX (Ref # 23) | 311B0300 | |
| SWITCH,ASSY,ENG STOP (Ref # 24) | 27010-1018 | |
| BAND,SHORT (Ref # 25) | 92072-030 | |
| NUT (Ref # 26) | 92019-008 | |