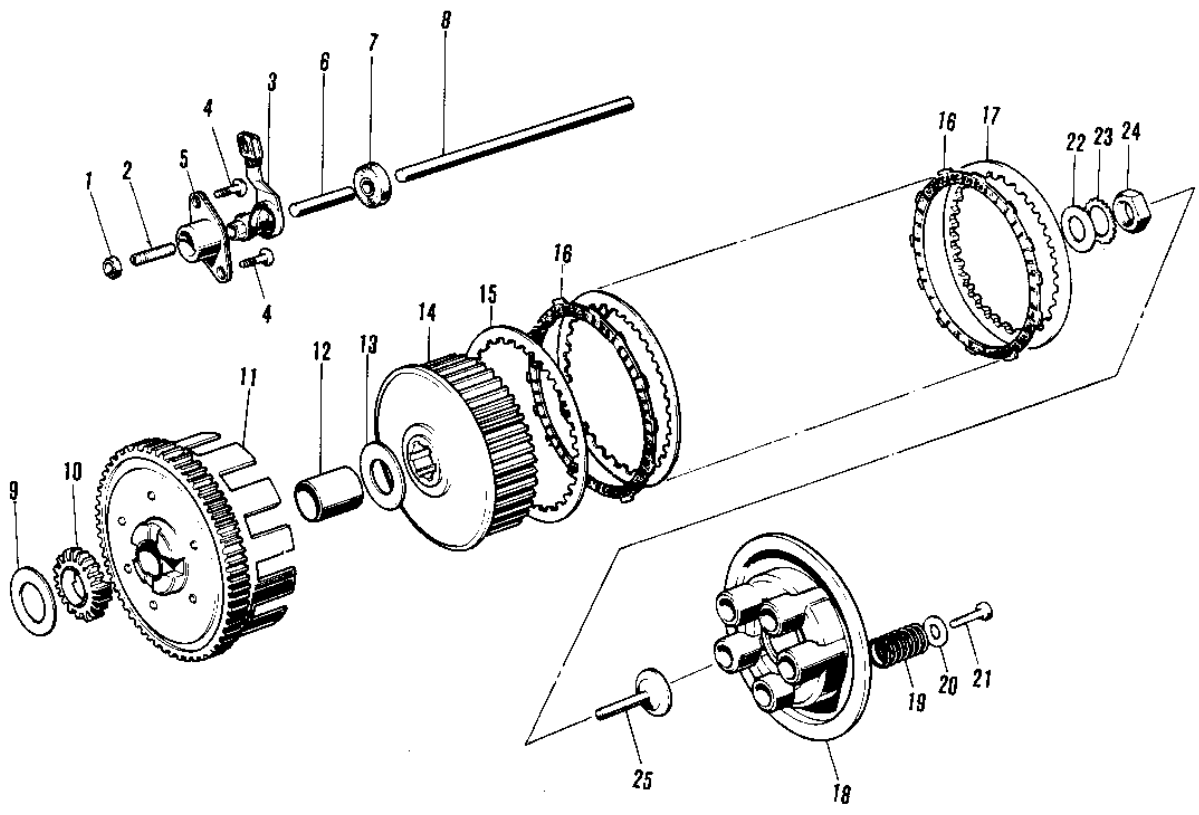


1973 F6-B PARTS DIAGRAM

CLUTCH



1973 F6-B PARTS LIST

CLUTCH

| ITEM NAME | PART NUMBER | QUANTITY |
|----------------------------------|-------------|----------|
| NUT 6MM (Ref # 1) | 311B0600 | |
| NUT 6MM (Ref # 1) | 311B0600 | |
| SCREW SLOTTED (Ref # 2) | 291Z0625 | |
| RELEASE INNER-CLUTCH (Ref # 3) | 13102-011 | |
| SCREW PAN HEAD 6X14 (Ref # 4) | 220B0614 | |
| RELEASE OUTER-CLUTCH (Ref # 5) | 13118-006 | |
| ROD-CLUTCH PUSH,SHORT (Ref # 6) | 13116-018 | |
| OIL SEAL TB7246 (Ref # 7) | 92052-010 | |
| ROD-CLUTCH PUSH,LONG (Ref # 8) | 13116-017 | |
| WASHER-CLUTCH THRUST (Ref # 9) | 92022-168 | |
| PINION-KICKSTARTER (Ref # 10) | 13075-006 | |
| CLUTCH-ASSY (Ref # 11-12) | 13081-058 | |
| HOUSING-COMP-CLUTCH (Ref # 11) | 13095-1024 | |
| BUSH-CLUTCH (Ref # 12) | 92028-014 | |
| WASHER-CLUTCH THRUST (Ref # 13) | 92022-168 | |
| HUB,CLUTCH (Ref # 14) | 13087-032 | |
| PLATE CLUTCH STEEL (Ref # 15) | 13089-003 | |
| PLATE,FRICITION (Ref # 16) | 13088-1104 | |
| PLATE CLUTCH OUTER (Ref # 17) | 13090-002 | |
| PLATE-CLUTCH SPRING (Ref # 18) | 13187-004 | |
| SPRING-CLUTCH (Ref # 19) | 92081-080 | |
| WASHER-PLAIN,5MM (Ref # 20) | 92022-167 | |
| BOLT (Ref # 21) | 110B0518 | |
| WASHER-LOCK,14MM (Ref # 22) | 92024-046 | |
| WASHER-LOCK,14MM (Ref # 22) | 92024-046 | |
| WASHER-LOCK,14MM (Ref # 23) | 463G1400 | |
| NUT 14MM (Ref # 24) | 315B1400 | |
| PUSHER-CLTCH SPRG PLT (Ref # 25) | 13116-016 | |