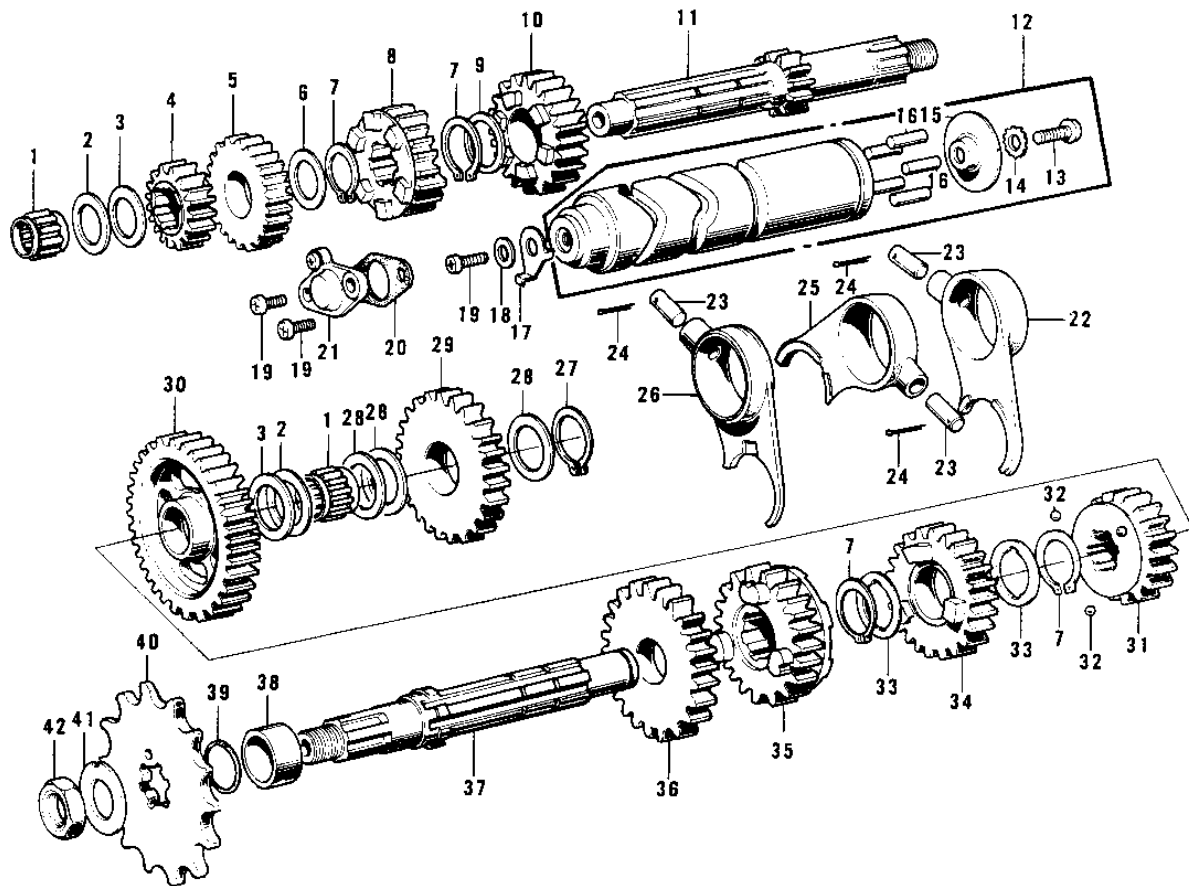


1973 F6-B PARTS DIAGRAM

TRANSMISSION/CHANGE DRUM



1973 F6-B PARTS LIST

TRANSMISSION/CHANGE DRUM

ITEM NAME	PART NUMBER	QUANTITY
BEARING-NEEDLE (Ref # 1)	92046-026	
WASHER-THRUST (Ref # 2)	92022-170	
WASHER-THRUST (Ref # 3)	92022-171	
2ND GEAR-DRIVE (Ref # 4)	13130-024	
4TH GEAR-DRIVE (Ref # 5)	13134-008	
WASHER-PLAIN (Ref # 6)	92022-181	
CIRCLIP,21MM (Ref # 7)	480J2100	
3RD GEAR-DRIVE (Ref # 8)	13132-022	
WASHER 22MM (Ref # 9)	92022-106	
TOP GEAR-DRIVE (Ref # 10)	13136-031	
SHAFT-DRIVE (Ref # 11)	13127-029	
DRUM ASSY-GEAR CHANGE (Ref # 12)	13239-002	
SCREW PAN HEAD 6X14 (Ref # 13)	220B0614	
WASHER LOCK 6MM (Ref # 14)	464H0600	
PLATE-CHANGE DRUM PIN (Ref # 15)	13142-009	
PIN GEAR CHANGE DRUM (Ref # 16)	92042-014	
ROTOR,NEUTRAL INDICTR (Ref # 17)	21007-1003	
WASHER PLAIN 6MM (Ref # 18)	410B0600	
SCREW PAN HEAD 6X16 (Ref # 19)	220B0616	
GASKET NEUTRAL SWITCH (Ref # 20)	13146-002	
SWITCH,NEUTRAL (Ref # 21)	13151-1001	
FORK-SELECTOR,LOW (Ref # 22)	13140-050	
PIN SELECT FORK GUIDE (Ref # 23)	92043-005	
PIN COTTER 3.0X20 (Ref # 24)	550D3020	
FORK-SELECTOR,TOP (Ref # 25)	13140-049	
FORK-SELECTOR (Ref # 26)	13140-030	
CIRCLIP 15MM (Ref # 27)	480J1500	
WASHER-PLAIN (Ref # 28)	92022-169	
IDLE GEAR-KICKSTARTER (Ref # 29)	13073-009	

1973 F6-B PARTS LIST

TRANSMISSION/CHANGE DRUM

ITEM NAME	PART NUMBER	QUANTITY
LOW GEAR,OUTPUT SHAFT (Ref # 30)	13129-051	
TOP GEAR-OUTPUT (Ref # 31)	13137-016	
BALL STEEL 5/32' (Ref # 32)	600A0500	
WASHER-LOCK (Ref # 33)	92024-031	
3RD GEAR-OUTPUT (Ref # 34)	13133-021	
4TH GEAR-OUTPUT (Ref # 35)	13135-012	
2ND GEAR-OUTPUT (Ref # 36)	13131-029	
SHAFT-OUTPUT (Ref # 37)	13128-028	
COLLAR-ENG SPROCKET (Ref # 38)	92027-180	
"0" RING (Ref # 39)	92055-022	
ENGINE SPROCKET SET (Ref # 40)	13249-002	
ENG SPROCKET ASY,13T (Ref # 40)	13249-001	
ENG SPROCKET,ASY,15T (Ref # 40)	13249-003	
WASHER LOCK 12MM (Ref # 41)	92024-002	
NUT,12MM (Ref # 42)	92016-024	