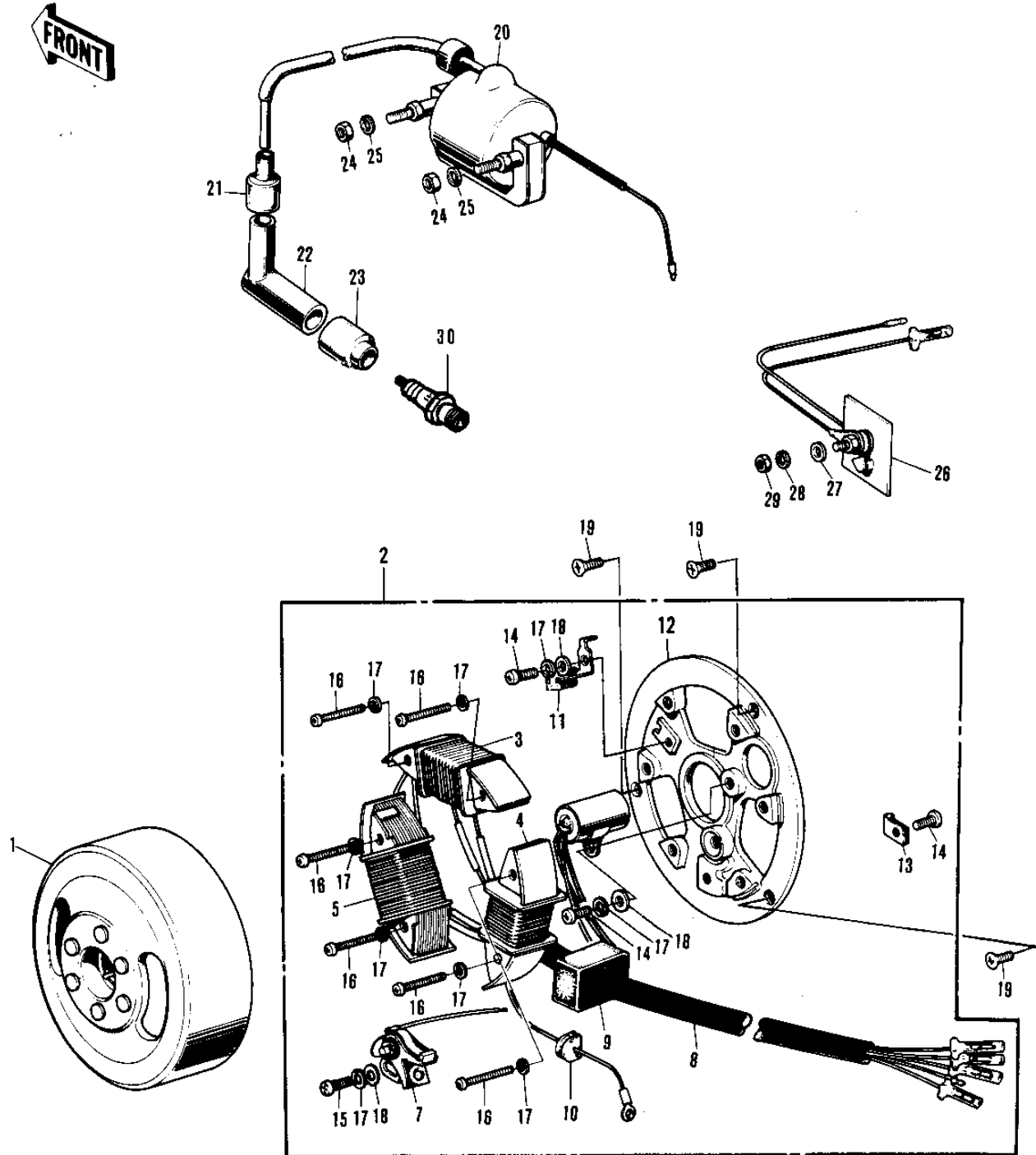


1973 F6-B PARTS DIAGRAM

IGNITION/GENERATOR/RECTIFIER



1973 F6-B PARTS LIST

IGNITION/GENERATOR/RECTIFIER

| ITEM NAME | PART NUMBER | QUANTITY |
|----------------------------------|-------------|----------|
| FLYWHEEL (Ref # 1) | 21050-012 | |
| STATOR (Ref # 2) | 21003-013 | |
| COIL-LIGHTING,B (Ref # 3) | 21047-016 | |
| COIL-LIGHTING,A (Ref # 4) | 21047-015 | |
| COIL-PRIMARY (Ref # 5) | 21049-013 | |
| CONDENSER (Ref # 6) | 21013-023 | |
| BREAKER ASSY-CONTACT (Ref # 7) | 21008-018 | |
| WIRING HARNESS-MAGNT (Ref # 8) | 21029-018 | |
| GROMMET-WIRING HARN (Ref # 9) | 92071-050 | |
| GROMMET WIRING HARN C (Ref # 10) | 21017-005 | |
| FELT OIL (Ref # 11) | 21019-005 | |
| BASE-MAGNETO (Ref # 12) | 21048-011 | |
| CLAMP WIRING HARNESS (Ref # 13) | 21037-002 | |
| SCREW PAN HEAD 4X8 (Ref # 14) | 220B0408 | |
| SCREW-PAN-CRSOSS,4X12 (Ref # 15) | 220B0412 | |
| SCREW PAN HEAD 4X25 (Ref # 16) | 220B0425 | |
| WASHER SPRING 4MM (Ref # 17) | 461F0400 | |
| WASHER PLAIN 4MM (Ref # 18) | 410B0400 | |
| SCREW-CNTSNK HD,5X20 (Ref # 19) | 221B0520A | |
| COIL-IGNITION (Ref # 20) | 21121-043 | |
| GROMMET,SPARK PLG CAP (Ref # 21) | 21132-005 | |
| CAP-SPARK PLUG (Ref # 22) | 21130-016 | |
| GROMMET-PLUG CAP,A (Ref # 23) | 21131-004 | |
| NUT 6MM (Ref # 24) | 311B0600 | |
| WASHER SPRING 6MM (Ref # 25) | 461F0600 | |
| RECTIFIER (Ref # 26) | 21061-5001 | |
| RECTIFIER (Ref # 26) | 21061-5001 | |
| WASHER LOCK 5MM (Ref # 27) | 464H0500 | |
| WASHER SPRING 5MM (Ref # 28) | 461F0500 | |

1973 F6-B PARTS LIST

IGNITION/GENERATOR/RECTIFIER

| ITEM NAME | PART NUMBER | QUANTITY |
|--------------------------------------|-------------|----------|
| NUT,5MM (Ref # 29) | 311B0500 | |
| UNAVAILABLE IN PRICE BOOK (Ref # 30) | 92070-010A | |
| SPARK PLUG B8HS (Ref # 30) | B8HS | |