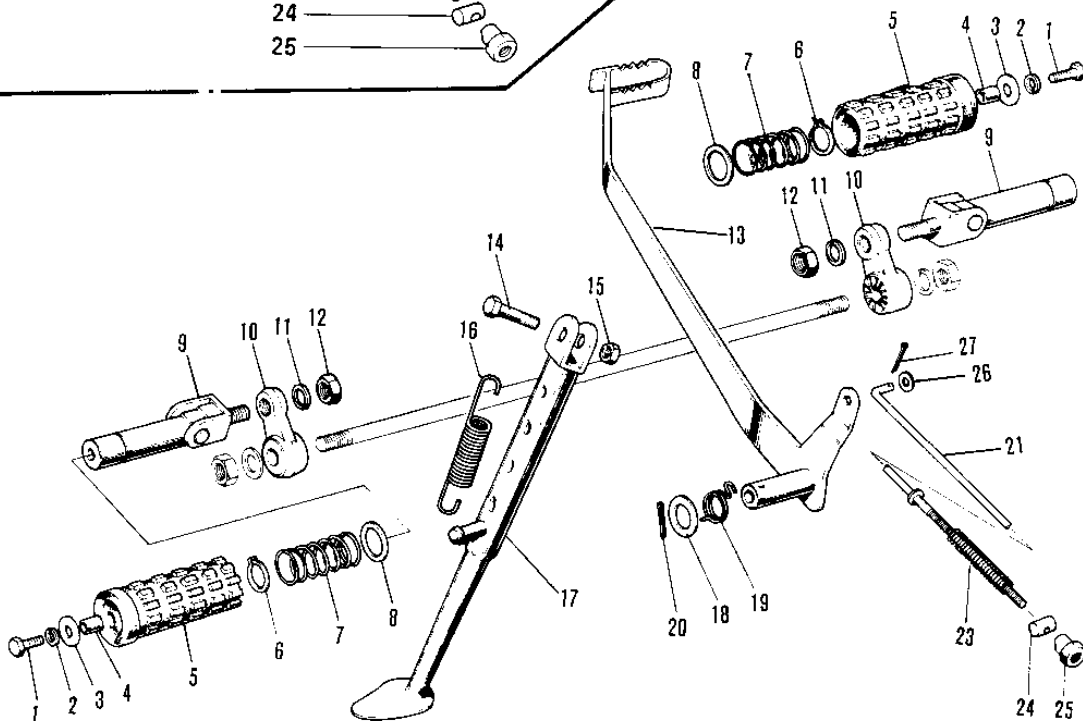
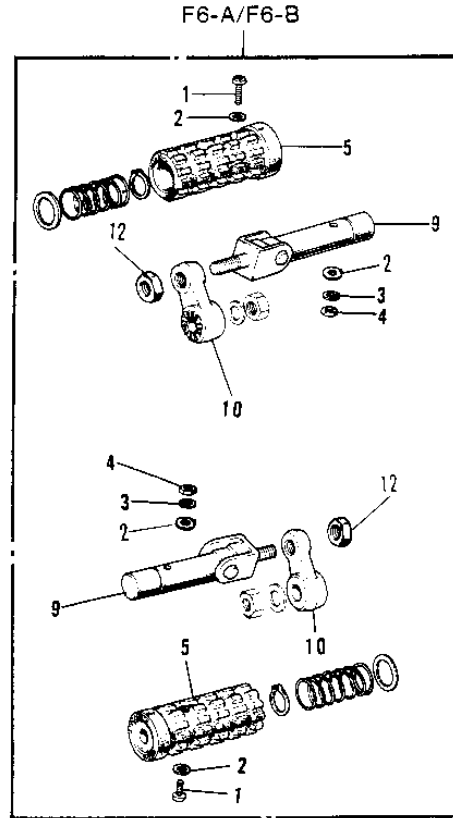
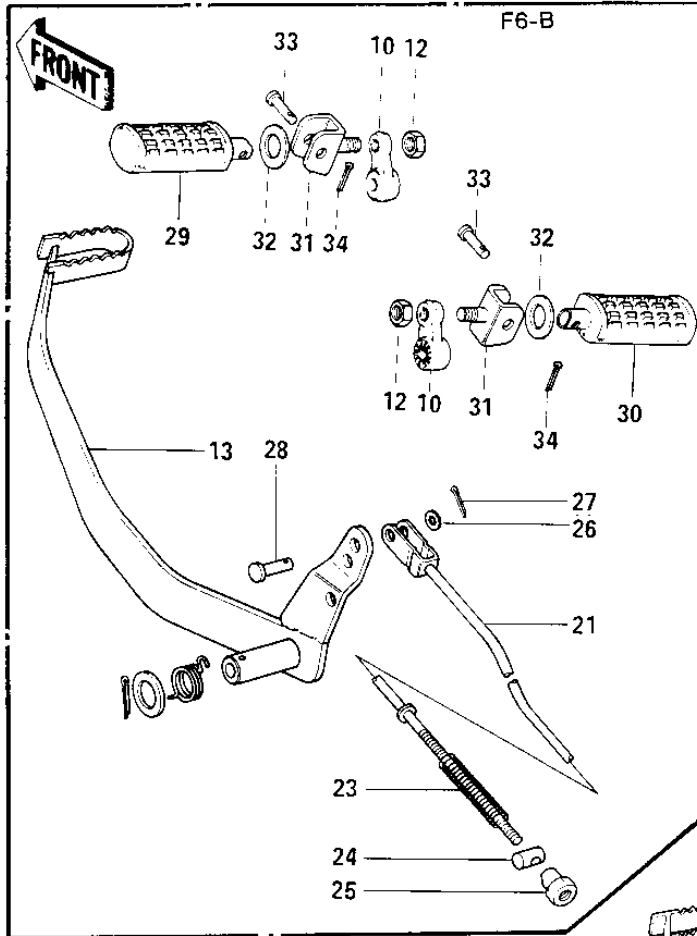


1972 F6-A PARTS DIAGRAM

FOOTRESTS/STAND /BRAKE PEDAL



1972 F6-A PARTS LIST

FOOTRESTS/STAND /BRAKE PEDAL

| ITEM NAME | PART NUMBER | QUANTITY |
|----------------------------------|-------------|----------|
| BOLT-UPSET (Ref # 1) | 112G0618 | |
| SCREW-PAN-CROS (Ref # 1) | 220B0540 | |
| WASHER SPRING 6MM (Ref # 2) | 461F0600 | |
| WASHER PLAIN 5MM (Ref # 2) | 410B0500 | |
| WASHER 6.5X20X1.6T (Ref # 3) | 92022-125 | |
| WASHER SPRING 5MM (Ref # 3) | 461F0500 | |
| COLLAR (Ref # 4) | 92027-103 | |
| NUT,5MM (Ref # 4) | 311B0500 | |
| RUBBER-FOOTREST (Ref # 5) | 92076-023 | |
| RUBBER-FOOTREST (Ref # 5) | 92076-023 | |
| CIRCLIP, 16 M/M (Ref # 6) | 480J1600 | |
| SPRING FOOTREST PEG (Ref # 7) | 34006-002 | |
| WASHER FOLDING PEG (Ref # 8) | 92022-049 | |
| BAR ASSY,FOOTREST (Ref # 9, 10,) | 34002-051 | |
| BAR ASSY,FOOTREST (Ref # 9) | 34002-051 | |
| BAR-FOOTREST (Ref # 9) | 34003-032 | |
| BRACKET-FOOTREST BAR (Ref # 10) | 34007-009 | |
| WASHER SPRING 10MM (Ref # 11) | 461F1000 | |
| NUT 10MM (Ref # 12) | 315B1000 | |
| NUT-LOCK,12MM (Ref # 12) | 92019-009 | |
| PEDAL-BRAKE (Ref # 13) | 43001-035 | |
| PEDAL-BRAKE (Ref # 13) | 43001-046 | |
| BOLT,10X28 (Ref # 14) | 113G1028 | |
| NUT 10MM (Ref # 15) | 315B1000 | |
| SPRING MAIN STAND (Ref # 16) | 34023-005 | |
| STAND-SIDE (Ref # 17) | 34024-028 | |
| WASHER BRAKE PEDAL (Ref # 18) | 92022-085 | |
| SPRING,BRAKE PEDAL (Ref # 19) | 43005-033 | |
| PIN COTTER 3.0X30 (Ref # 20) | 550D3030 | |

1972 F6-A PARTS LIST

FOOTRESTS/STAND /BRAKE PEDAL

| ITEM NAME | PART NUMBER | QUANTITY |
|----------------------------------|--------------|----------|
| BRAKE ROD ASSY (Ref # 21 ~ 2) | 43010-5003 | |
| ROD ASSY-BRAKE (Ref # 21 ~ 2) | 43010-014 | |
| SPRING,BRAKE ROD (Ref # 23) | 43012-001 | |
| PIN BRAKE (Ref # 24) | 92043-039 | |
| NUT-BRAKE ROD ADJUST (Ref # 25) | 92015-042 | |
| WASHER PLAIN 6MM (Ref # 26) | 410B0600 | |
| COTTER PIN, 2.0 X 15 (Ref # 27) | 550D2015 | |
| PIN-BRAKE ROD FITTING (Ref # 28) | 92043-064 | |
| STEP-ASSY,FR,LH (Ref # 29) | 34027-1114 | |
| STEP-ASSY,FR,RH (Ref # 30) | 34027-1115 | |
| HOLDER,FOTRST BAR,LH (Ref # 31) | 34021-001-10 | |
| WASHER PL 22.5X36X2.3 (Ref # 32) | 92022-204 | |
| PIN-FOOTREST BAR FIT (Ref # 33) | 92043-080 | |
| PIN,COTTER,2.5X15 (Ref # 34) | 550D2515 | |