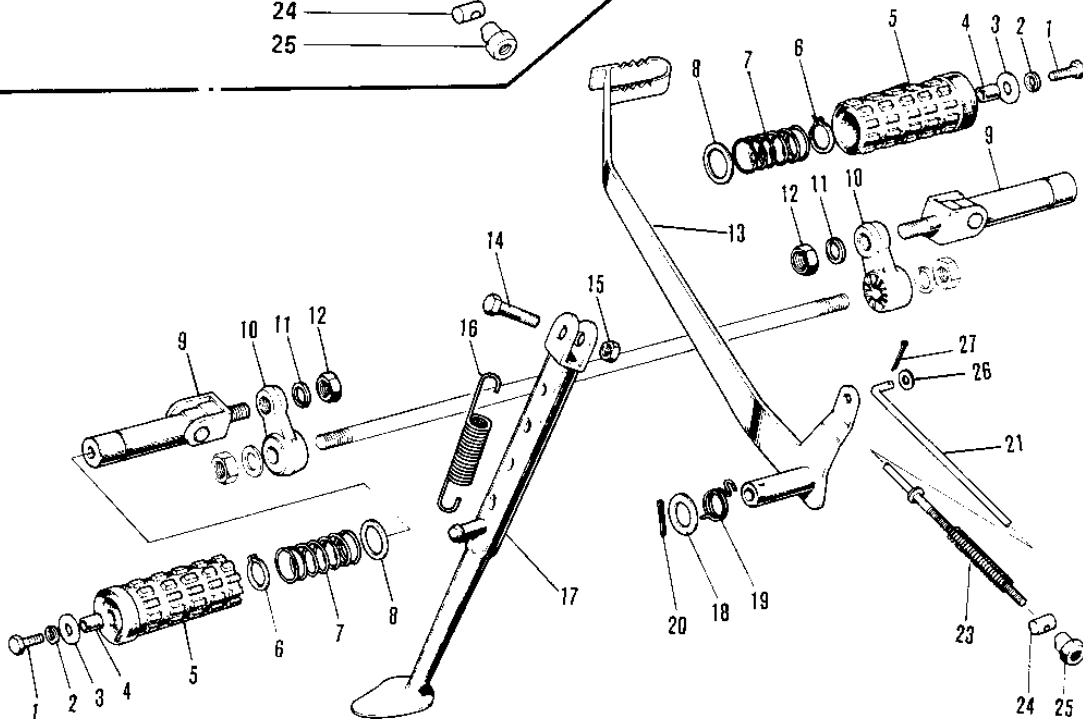
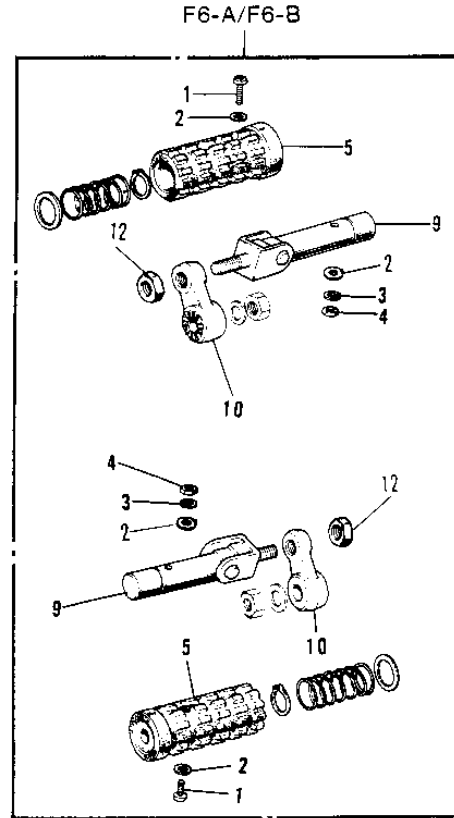
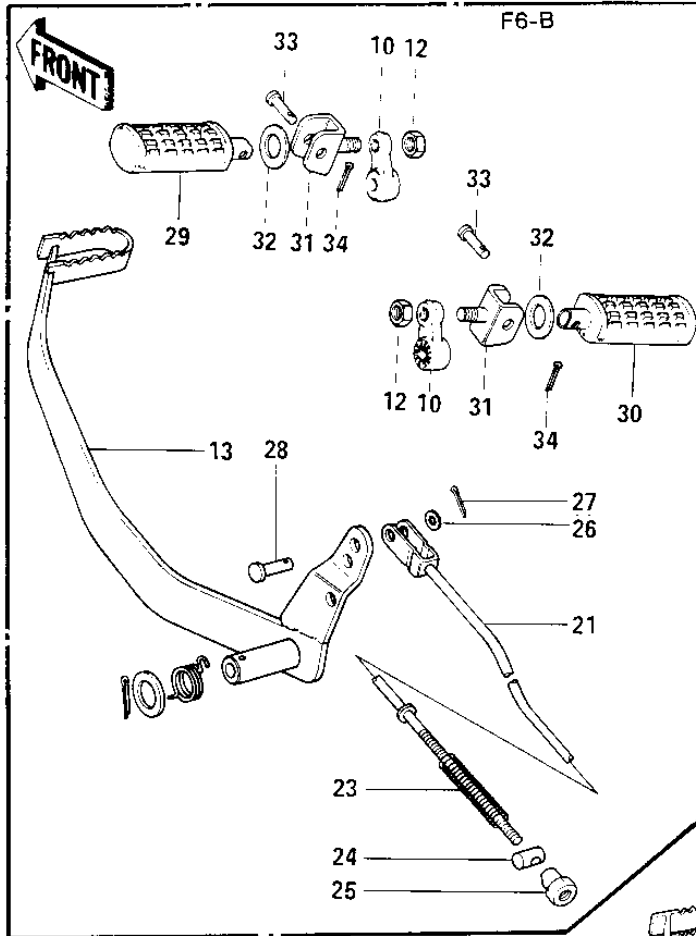


# 1973 F6-B PARTS DIAGRAM

FOOTRESTS/STAND /BRAKE PEDAL



# 1973 F6-B PARTS LIST

## FOOTRESTS/STAND /BRAKE PEDAL

ITEM NAME	PART NUMBER	QUANTITY
BOLT-UPSET (Ref # 1)	112G0618	
SCREW-PAN-CROS (Ref # 1)	220B0540	
WASHER SPRING 6MM (Ref # 2)	461F0600	
WASHER PLAIN 5MM (Ref # 2)	410B0500	
WASHER 6.5X20X1.6T (Ref # 3)	92022-125	
WASHER SPRING 5MM (Ref # 3)	461F0500	
COLLAR (Ref # 4)	92027-103	
NUT,5MM (Ref # 4)	311B0500	
RUBBER-FOOTREST (Ref # 5)	92076-023	
RUBBER-FOOTREST (Ref # 5)	92076-023	
CIRCLIP, 16 M/M (Ref # 6)	480J1600	
SPRING FOOTREST PEG (Ref # 7)	34006-002	
WASHER FOLDING PEG (Ref # 8)	92022-049	
BAR ASSY,FOOTREST (Ref # 9, 10,)	34002-051	
BAR ASSY,FOOTREST (Ref # 9)	34002-051	
BAR-FOOTREST (Ref # 9)	34003-032	
BRACKET-FOOTREST BAR (Ref # 10)	34007-009	
WASHER SPRING 10MM (Ref # 11)	461F1000	
NUT 10MM (Ref # 12)	315B1000	
NUT-LOCK,12MM (Ref # 12)	92019-009	
PEDAL-BRAKE (Ref # 13)	43001-035	
PEDAL-BRAKE (Ref # 13)	43001-046	
BOLT,10X28 (Ref # 14)	113G1028	
NUT 10MM (Ref # 15)	315B1000	
SPRING MAIN STAND (Ref # 16)	34023-005	
STAND-SIDE (Ref # 17)	34024-028	
WASHER BRAKE PEDAL (Ref # 18)	92022-085	
SPRING,BRAKE PEDAL (Ref # 19)	43005-033	
PIN COTTER 3.0X30 (Ref # 20)	550D3030	

## 1973 F6-B PARTS LIST

### FOOTRESTS/STAND /BRAKE PEDAL

ITEM NAME	PART NUMBER	QUANTITY
BRAKE ROD ASSY (Ref # 21 ~ 2)	43010-5003	
ROD ASSY-BRAKE (Ref # 21 ~ 2)	43010-014	
SPRING,BRAKE ROD (Ref # 23)	43012-001	
PIN BRAKE (Ref # 24)	92043-039	
NUT-BRAKE ROD ADJUST (Ref # 25)	92015-042	
WASHER PLAIN 6MM (Ref # 26)	410B0600	
COTTER PIN, 2.0 X 15 (Ref # 27)	550D2015	
PIN-BRAKE ROD FITTING (Ref # 28)	92043-064	
STEP-ASSY,FR,LH (Ref # 29)	34027-1114	
STEP-ASSY,FR,RH (Ref # 30)	34027-1115	
HOLDER,FOTRST BAR,LH (Ref # 31)	34021-001-10	
WASHER PL 22.5X36X2.3 (Ref # 32)	92022-204	
PIN-FOOTREST BAR FIT (Ref # 33)	92043-080	
PIN,COTTER,2.5X15 (Ref # 34)	550D2515	