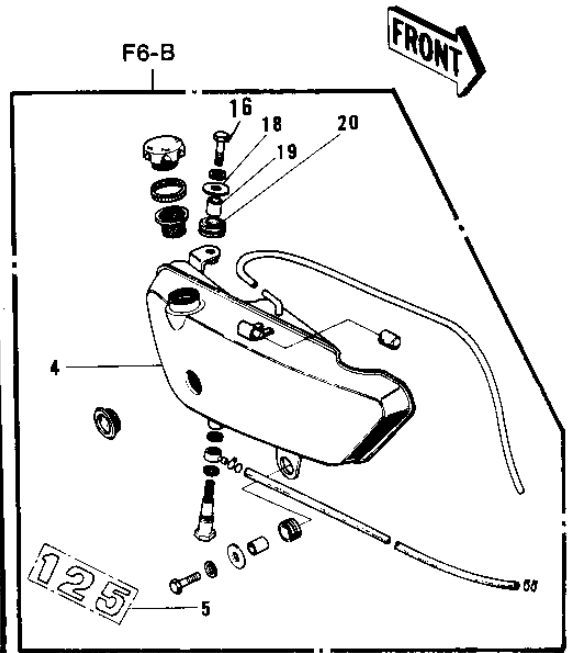
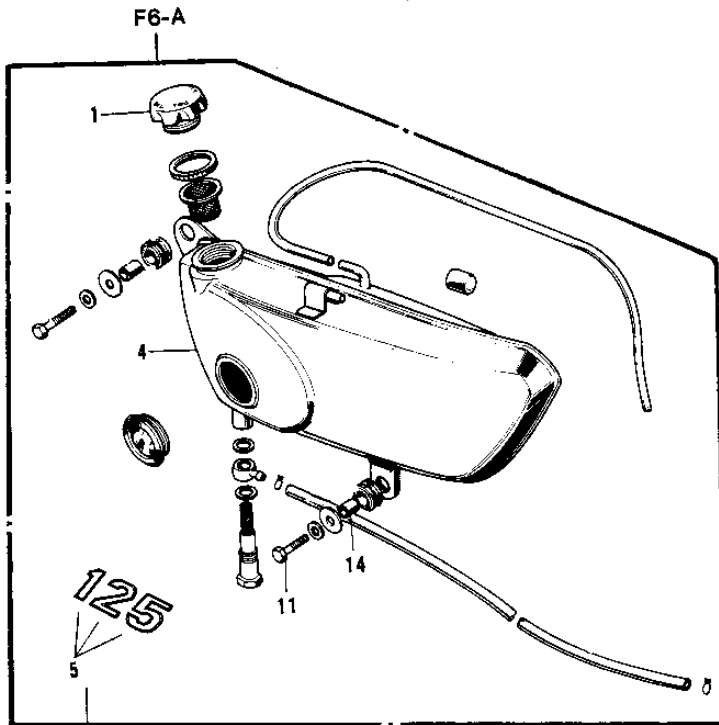
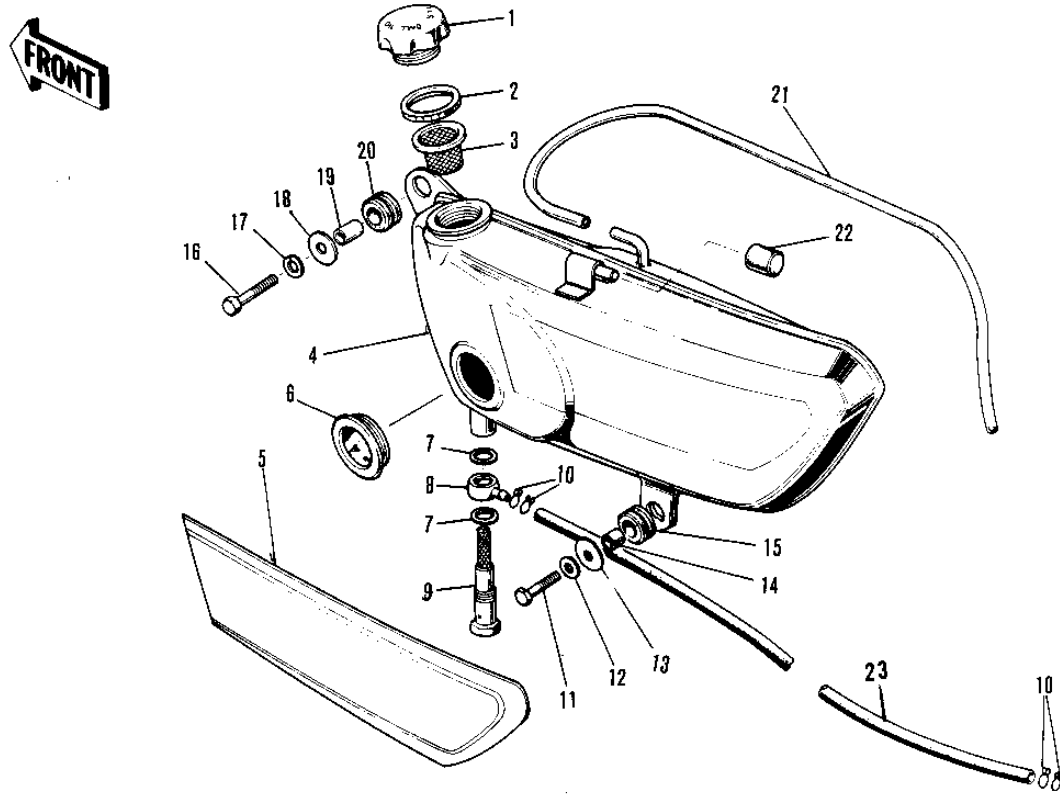


1971 F6 PARTS DIAGRAM

OIL TANK



1971 F6 PARTS LIST

OIL TANK

ITEM NAME	PART NUMBER	QUANTITY
CAP OIL TANK (Ref # 1)	52003-001	1
CAP-OIL TANK (Ref # 1)	52003-018	1
GASKET OIL TANK CAP (Ref # 2)	92065-018	1
GASKET OIL TANK CAP B (Ref # 3)	52004-001	1
TANK-OIL,YELLOW (Ref # 4)	52001-022-53	1
TANK-OIL,ORANGE (Ref # 4)	52001-022-71	1
TANK-OIL,F.BLACK (Ref # 4)	52001-032-21	1
EMBLEM-OIL TANK (Ref # 5)	56018-061	1
EMBLEM-OIL TANK (Ref # 5)	56018-109	1
F6-BEMBLEM-OIL TANK (Ref # 5)	56018-129	1
GAUGE OIL LEVEL (Ref # 6)	52015-001	1
GASKET CHECK VALVE (Ref # 7)	92065-058	2
CONNECTOR BANJO (Ref # 8)	92061-003	1
BOLT OIL TANK BANJO (Ref # 9)	92060-001	1
CLAMP FUEL PIPE (Ref # 10)	92037-010	4
BOLT HEX HEAD 8X25 (Ref # 11)	116B0825	1
BOLT HEX HEAD 8X28 (Ref # 11)	116B0828	1
WASHER SPRING 8MM (Ref # 12)	461F0800	1
WASHER,8X26X2.3 (Ref # 13)	92022-1564	1
SPACER FUEL TANK MONT (Ref # 14)	51065-001	1
COLLAR (Ref # 14)	92027-102	1
DAMPER RUBBER-MUFFLER (Ref # 15)	18063-005	1
BOLT-UPSET,6X20 (Ref # 16)	112G0620	1
WASHER SPRING 6MM (Ref # 17)	461F0600	1
WASHER 6.5X20X1.6T (Ref # 18)	92022-125	1
WASHER 6.5X20X1.6T (Ref # 18)	92022-125	1
COLLAR,6.8X10X8.5 (Ref # 19)	92027-129	1
COLLAR (Ref # 19)	92027-103	1
DAMPER RUBBER (Ref # 20)	92075-112	1

1971 F6 PARTS LIST

OIL TANK

ITEM NAME	PART NUMBER	QUANTITY
DAMPER RUBBER (Ref # 20)	92075-105	1
UNAVAILABLE IN PRICE BOOK (Ref # 21)	700B05600	1
DAMPER RUBBER (Ref # 22)	92075-067	1
PIPE OIL TANK (Ref # 23)	92059-008	1