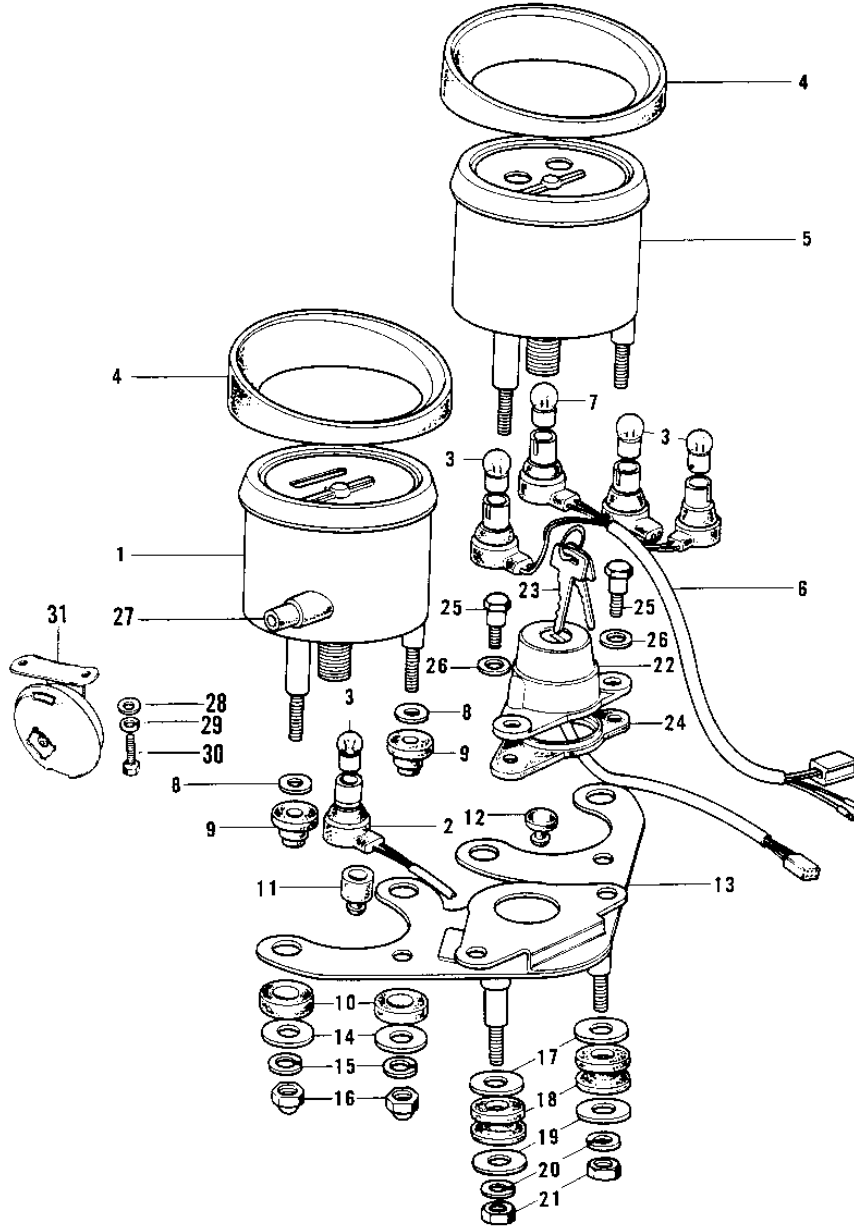


1971 F6 PARTS DIAGRAM

METERS (F6-B)



E

1
1
1
1
1
1
1
1
1
1
2
2
2
2
2
2
2
2
2
2
2
2
2
2
2
3
3

(F6-B)

1971 F6 PARTS LIST

METERS (F6-B)

ITEM NAME	PART NUMBER	QUANTITY
SPEEDOMETER ASSY,MPH (Ref # 1)	25001-045	1
UNAVAILABLE IN PRICE BOOK (Ref # 1)	25001-032	1
SOCKET-SPEEDOMETER (Ref # 2)	25011-015	1
BULB-6V 3W (Ref # 3)	92069-053	4
COVER-SPEEDOMETER (Ref # 4)	25012-003	2
TACHOMETER ASSY (Ref # 5)	25015-019	1
SOCKET-TACHOMETER (Ref # 6)	25011-028	1
BULB 6V 1.5W (Ref # 7)	92069-024	1
WASHER,8.5X20X1.6 (Ref # 8)	92022-1561	4
DAMPER RUBBER (Ref # 9)	92075-143	4
DAMPER RUBBER (Ref # 10)	92075-066	4
DAMPER RUBB SPEEDMETR (Ref # 11)	92075-035	1
DAMPER RUBBER (Ref # 12)	92075-155	1
BRACKET METER (Ref # 13)	25008-015	1
WASHER PL 5.2X18X1.2 (Ref # 14)	92022-285	4
WASHER SPRING 5MM (Ref # 15)	461F0500	4
NUT-CAP,5MM (Ref # 16)	322N0500	4
WASHER PLAIN 8MM (Ref # 17)	411B0800	2
DAMPER RUBB SPEEDMETR (Ref # 18)	92075-024	2
WASHER 6.5X20X1.6T (Ref # 19)	92022-125	2
WASHER SPRING 6MM (Ref # 20)	461F0600	2
NUT 6MM (Ref # 21)	311B0600	2
SWITCH ASSY,IGNITION (Ref # 22)	27005-068	1
SWITCH ASSY,IGNITION (Ref # 22)	27005-068	SU
KEY SET,#155 (Ref # 23)	27008-042-55	AR
KEY SET,#164 (Ref # 23)	27008-043-64	AR
DAMPER RUBBER (Ref # 24)	92075-077	1
BOLT-HEX HEAD,6MM (Ref # 25)	92007-026	2
WASHER PLAIN 8MM (Ref # 26)	410B0800	2

1971 F6 PARTS LIST

METERS (F6-B)

ITEM NAME	PART NUMBER	QUANTITY
KNOB,SPEEDOMETER TRIP (Ref # 27)	25024-003	1
WASHER PLAIN 6MM (Ref # 28)	411B0600	2
WASHER SPRING 6MM (Ref # 29)	461F0600	2
BOLT-UPSET (Ref # 30)	112G0618	2
HORN (Ref # 31)	27003-061	1