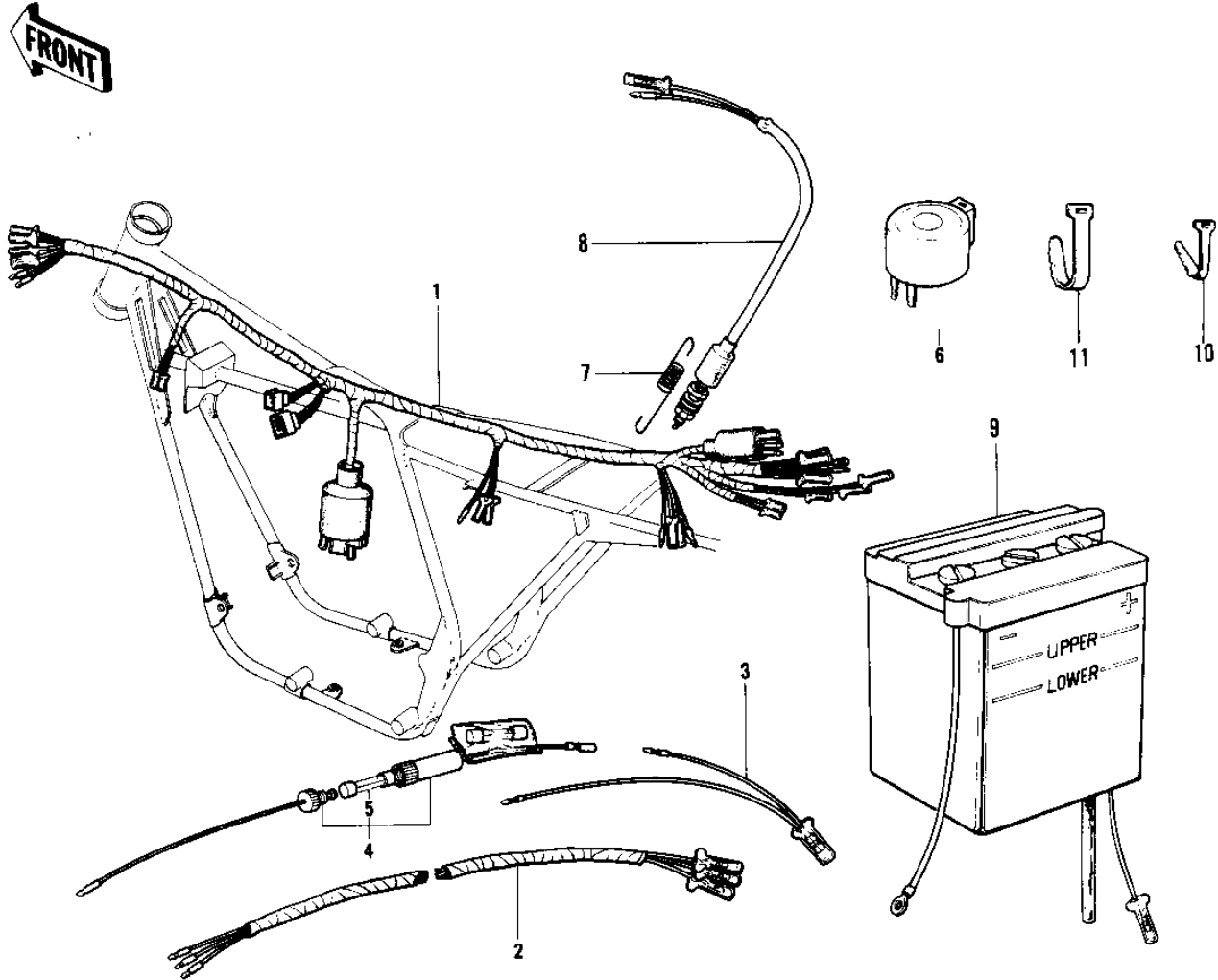


1973 F6-B PARTS DIAGRAM

CHASSIS ELECTRICAL EQUIPMENT



1973 F6-B PARTS LIST

CHASSIS ELECTRICAL EQUIPMENT

ITEM NAME	PART NUMBER	QUANTITY
WIRING HARNESS (OPT) (Ref # 1)	26001-056	
WIRING HARNESS-MAIN (Ref # 1)	26001-077	
WIRING HARNWSS REAR (Ref # 2)	26002-027	
WIRING HARNESS-REAR (Ref # 2)	26002-029	
LEAD WIRE (Ref # 3)	26011-042	
FUES ASSY (Ref # 4, 5)	26004-008	
FUSE 10A (Ref # 5)	26006-003	
RELAY-TURN SIGNAL (Ref # 6)	27002-013	
SPRING BRAKE LAMP SW (Ref # 7)	27011-004	
SWITCH-BRAKE LAMP (Ref # 8)	27010-018	
YUA BAT 6N4-2A-5 (Ref # 9)	K26012-020	
BAND,SHORT (Ref # 10)	92072-030	
BAND,LONG (Ref # 11)	92072-032	