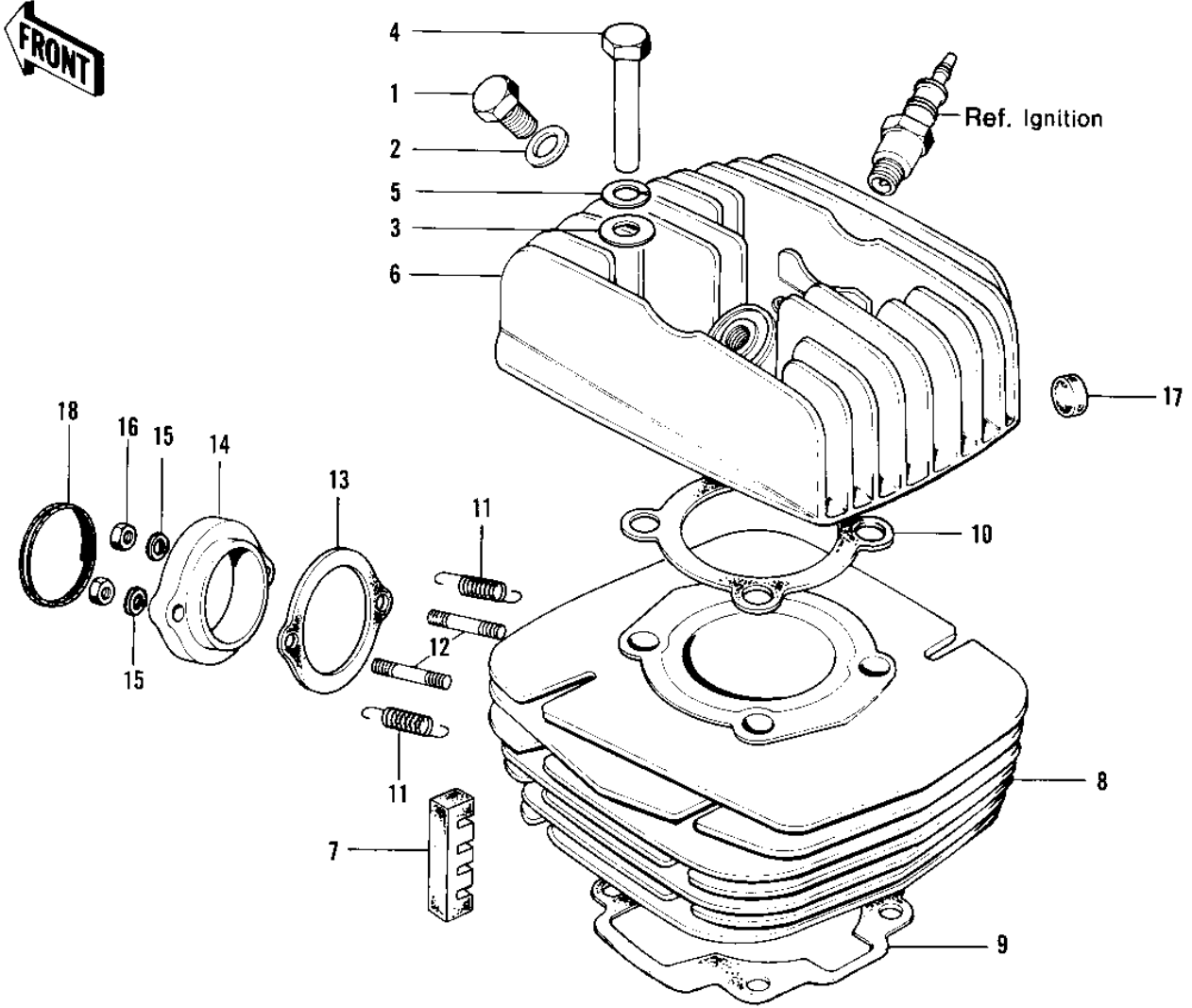
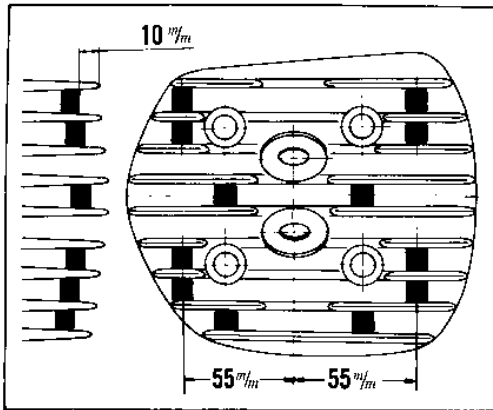


# 1971 F7 PARTS DIAGRAM

CYLINDER HEAD/CYLINDER ('71-'73 F7/F7-A/



F7-B: Location of Damper Rubber



## 1971 F7 PARTS LIST

CYLINDER HEAD/CYLINDER ('71-'73 F7/F7-A/

ITEM NAME	PART NUMBER	QUANTITY
PLUG-CYLINDER HEAD (Ref # 1)	92067-005	1
GASKET-CYL HEAD PLUG (Ref # 2)	92065-068	1
WASHER PLAIN 12MM (Ref # 3)	92022-072	4
NUT 8MM (Ref # 4)	92015-020	4
WASHER SPRING 12MM (Ref # 5)	461F1200	4
CYLINDER HEAD (Ref # 6)	11001-052	1
CYLINDER HEAD,BLACK (Ref # 6)	11001-092-21	1
CYLINDER HEAD,BLACK (Ref # 6)	11001-092-21	1
DAMPER RUBBER-CYLINDER (Ref # 7)	92075-142	5
CYLINDER (Ref # 8)	11005-5002	1
CYLINDER (Ref # 8)	11005-5002	1
CYLINDER (Ref # 8)	11005-5002	AL
GASKET-CYLINDER BASE (Ref # 9)	11009-026	1
GASKET-CYLINDER HEAD (Ref # 10)	11004-042	1
SPRING CONNECTOR (Ref # 11)	18071-001	2
SPRING-CONNECTOR (Ref # 11)	18071-003	2
STUD, LIGHT ALLOY, 6X30 (Ref # 12)	172G0630	2
GASKET-EXHAUST PIPE (Ref # 13)	18067-017	1
HOLDER-EXHAUST (Ref # 14)	18062-005	1
HOLDER-EXH PIPE,BLACK (Ref # 14)	18062-005-21	1
WASHER SPRING 6MM (Ref # 15)	461F0600	2
NUT 6MM (Ref # 16)	311B0600	2
NUT (Ref # 16)	92019-008	2
DAMPER RUBBER (Ref # 17)	92075-075	12
UNAVAILABLE IN PRICE BOOK (Ref # 18)	56019-102	AR