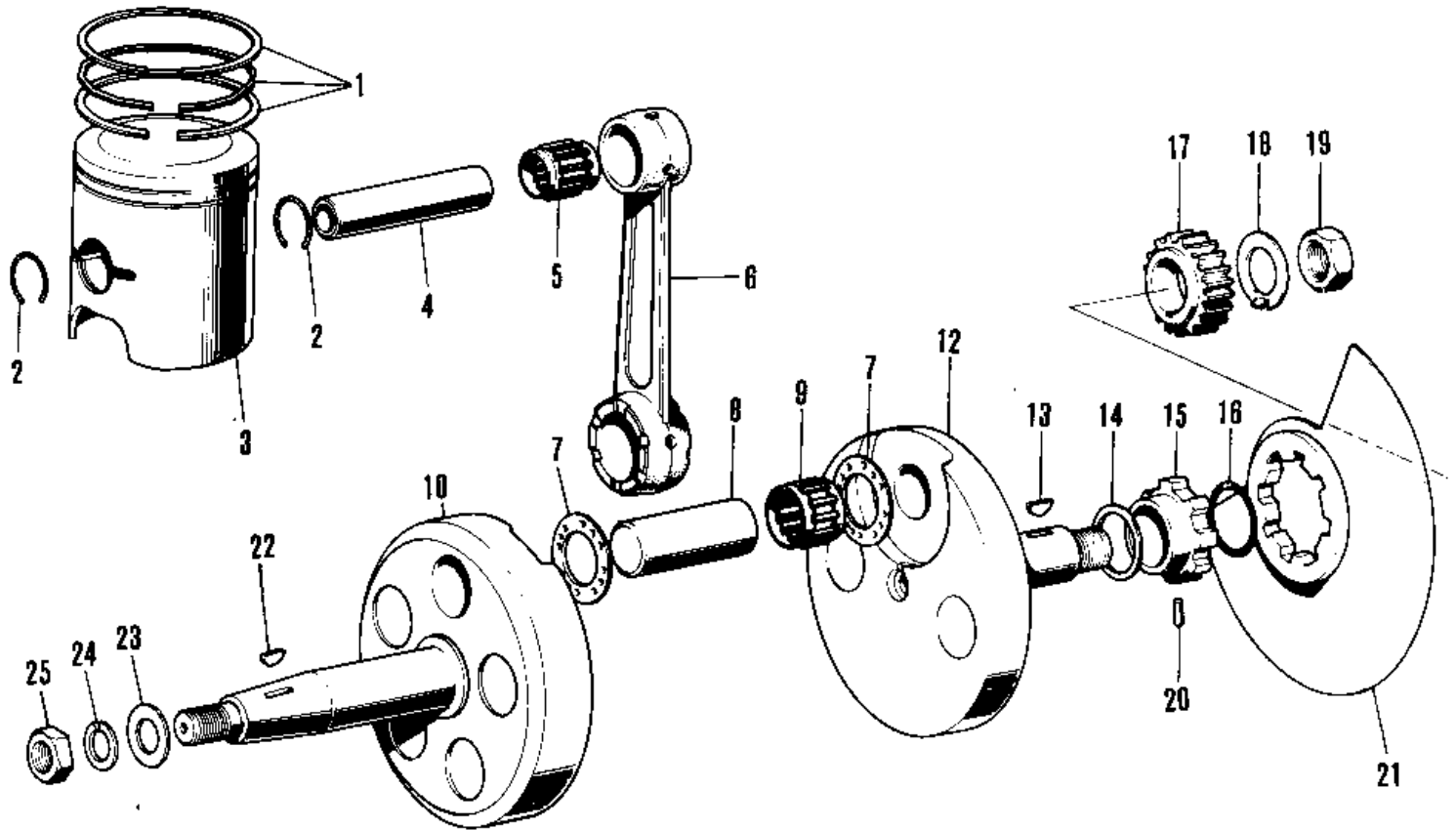


1974 F7-C PARTS DIAGRAM

CRANKSHAFT/PISTON/ROTARY VALVE ('71-'73)



1974 F7-C PARTS LIST

CRANKSHAFT/PISTON/ROTARY VALVE ('71-'73)

ITEM NAME	PART NUMBER	QUANTITY
RING SET,STD (Ref # 1)	13008-027	
RING SET,0.020'O.S (Ref # 1)	13025-032	
RING SET,0.040'O.S (Ref # 1)	13024-035	
CIRCLIP PISTON PIN (Ref # 2)	92036-003	
PISTON,STD (Ref # 3)	13001-042	
PISTON,0.020'O.S (Ref # 3)	13029-048	
PISTON,0.040'O.S (Ref # 3)	13027-046	
PIN-PISTON (Ref # 4)	13002-018	
BEARING,SMALL END (Ref # 5)	13033-034	
CONNECTING ROD SET (Ref # 6~9)	13044-039	
CRANKSHAFT ASSY (Ref # 6~12)	13036-049	
WASHER SIDE (Ref # 7)	92026-011	
CRANK PIN (Ref # 8)	13035-022	
BEARING,BIG END (Ref # 9)	13034-042	
CRANKSHAFT,L.H (Ref # 10)	13037-038	
CRANKSHAFT,R.H (Ref # 12)	13038-034	
WOODRUFF KEY PRY PINI (Ref # 13)	92038-003	
COLLAR-CRANKSHAFT (Ref # 14)	92027-118	
COLLAR-R.H CRNK SHT (Ref # 15)	92027-100	
"0" RING,22MM (Ref # 16)	92055-018	
PINION,PRIMARY (Ref # 17)	13121-027	
WASHER,LOCK,18MM (Ref # 18)	92024-067	
NUT 18MM (Ref # 19)	92015-019	
PIN DOWEL 4X12 (Ref # 20)	610A0412	
VALVE-ROTARY DISC (Ref # 21)	12002-022	
WOODRUFF KEY (Ref # 22)	92038-001	
WASHER-PLAIN,14MM (Ref # 23)	92022-172	
WASHER-PLAIN, 14MM (Ref # 24)	461E1400	
NUT 14MM (Ref # 25)	92015-043	