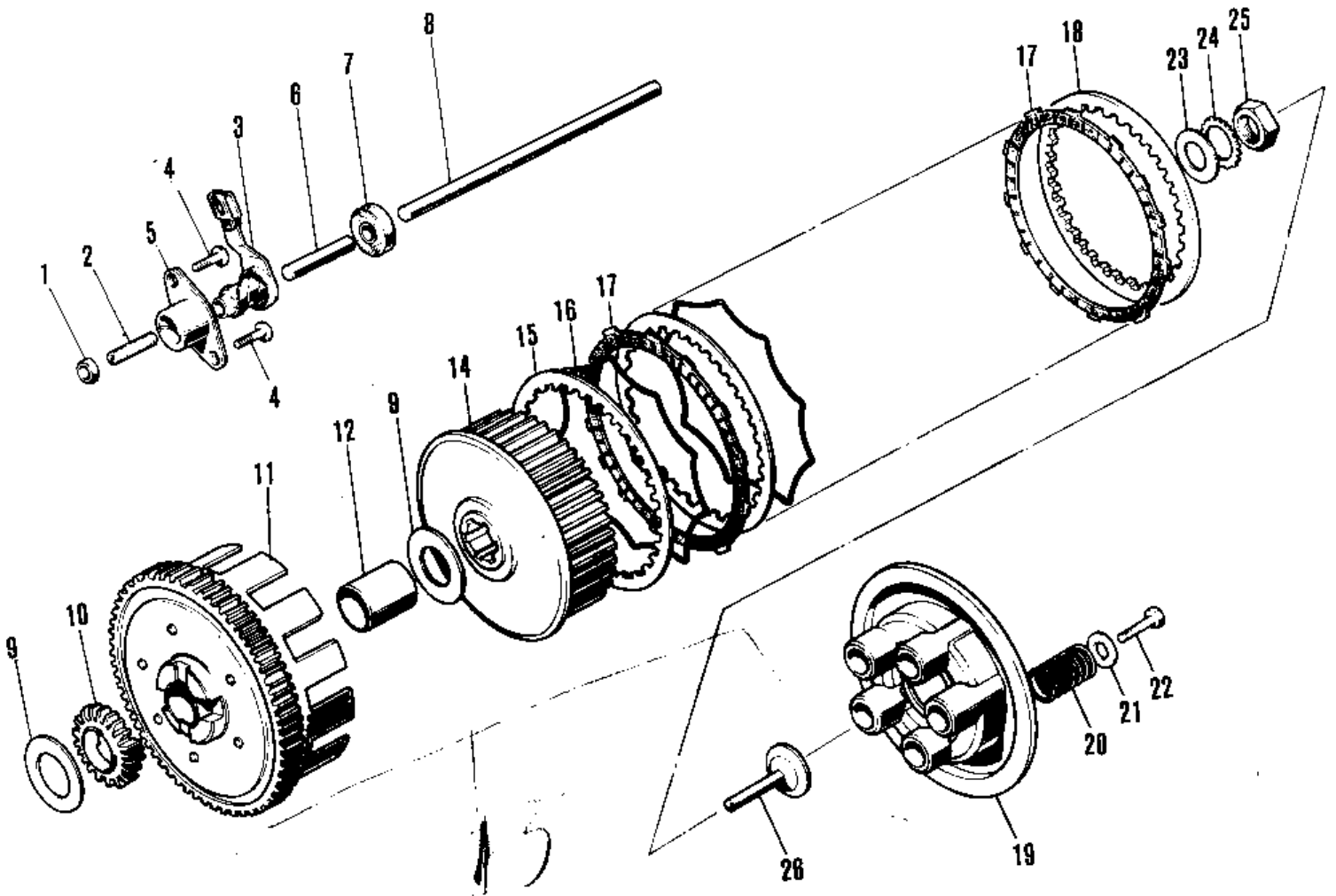


1974 F7-C PARTS DIAGRAM

CLUTCH (71-73 F7/F7-A/F7-B)



1974 F7-C PARTS LIST

CLUTCH ('71-'73 F7/F7-A/F7-B)

ITEM NAME	PART NUMBER	QUANTITY
NUT 6MM (Ref # 1)	311B0600	
NUT 6MM (Ref # 1)	311B0600	
SCREW SLOTTED (Ref # 2)	291Z0625	
RELEASE INNER-CLUTCH (Ref # 3)	13102-011	
SCREW PAN HEAD 6X14 (Ref # 4)	220B0614	
RELEASE OUTER-CLUTCH (Ref # 5)	13118-006	
ROD-CLUTCH PUSH,SHORT (Ref # 6)	13116-018	
OIL SEAL TB7246 (Ref # 7)	92052-010	
ROD-CLUTCH PUSH,LONG (Ref # 8)	13116-017	
WASHER-CLUTCH THRUST (Ref # 9)	92022-168	
PINION-KICKSTARTER (Ref # 10)	13075-006	
CLUTCH-ASSY (Ref # 11~22)	13081-084	
HOUSING-COMP-CLUTCH (Ref # 11)	13095-1024	
BUSH-CLUTCH (Ref # 12)	92028-014	
HUB,CLUTCH (Ref # 14)	13087-032	
PLATE CLUTCH STEEL (Ref # 15)	13089-003	
RING-CLUTCH STEEL (Ref # 16)	13229-002	
PLATE-FRICTION (Ref # 17)	13088-1015	
PLATE-FRICTION (Ref # 17)	13088-1015	
PLATE CLUTCH OUTER (Ref # 18)	13090-002	
PLATE-CLUTCH SPRING (Ref # 19)	13187-004	
SPRING-CLUTCH (Ref # 20)	92081-080	
WASHER-PLAIN,5MM (Ref # 21)	92022-167	
BOLT,5X18 (Ref # 22)	92003-078	
WASHER-LOCK,14MM (Ref # 23)	92024-046	
WASHER-LOCK,14MM (Ref # 24)	463G1400	
NUT, 14MM (Ref # 25)	315B1400	
PUSHER-CLTCH SPRG PLT (Ref # 26)	13116-016	