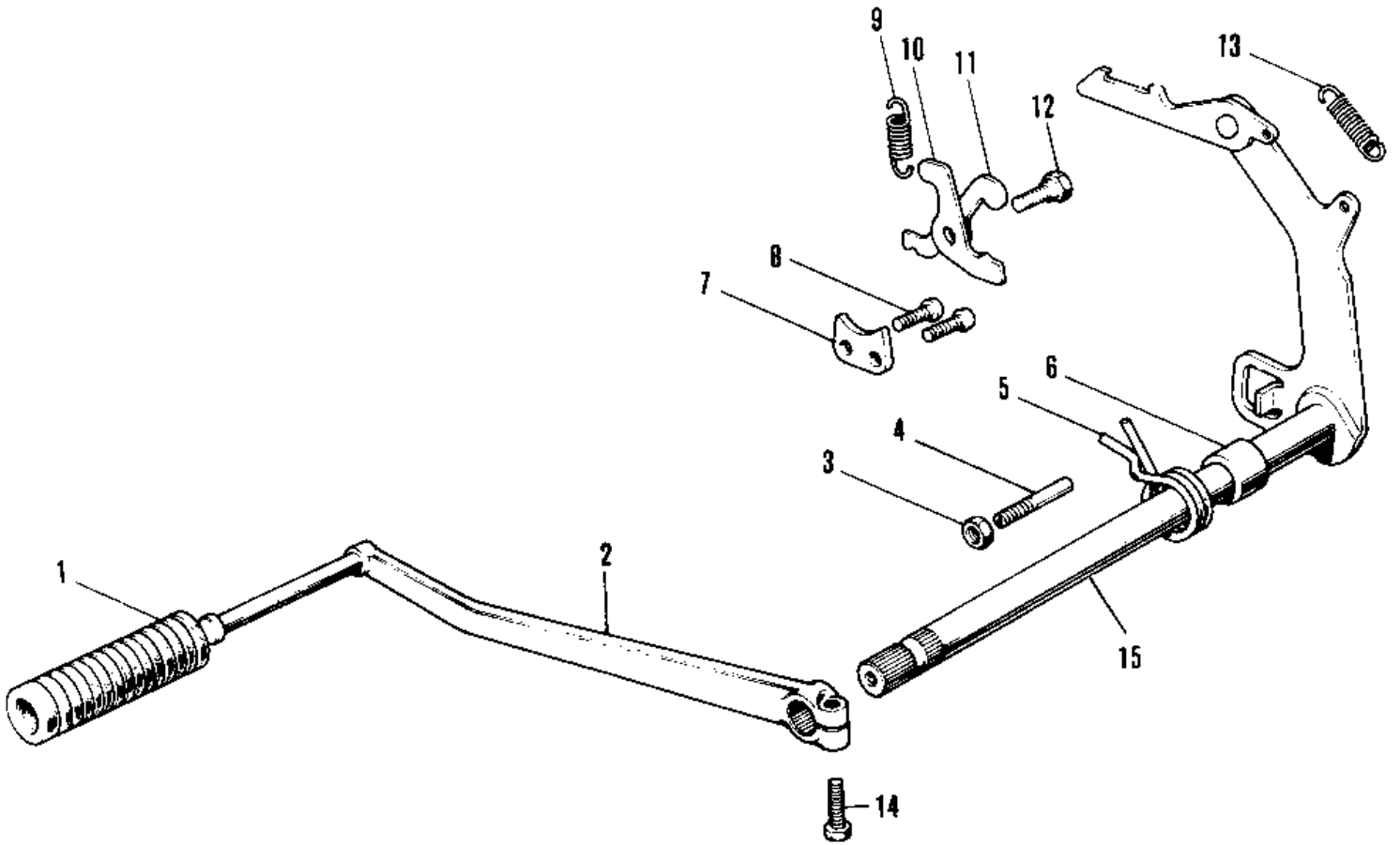


1973 F7-B PARTS DIAGRAM

GEAR CHANGE MECHANISM ('71-'73 F7/F7-A/F)



1973 F7-B PARTS LIST

GEAR CHANGE MECHANISM ('71-'73 F7/F7-A/F)

ITEM NAME	PART NUMBER	QUANTITY
-----------	-------------	----------