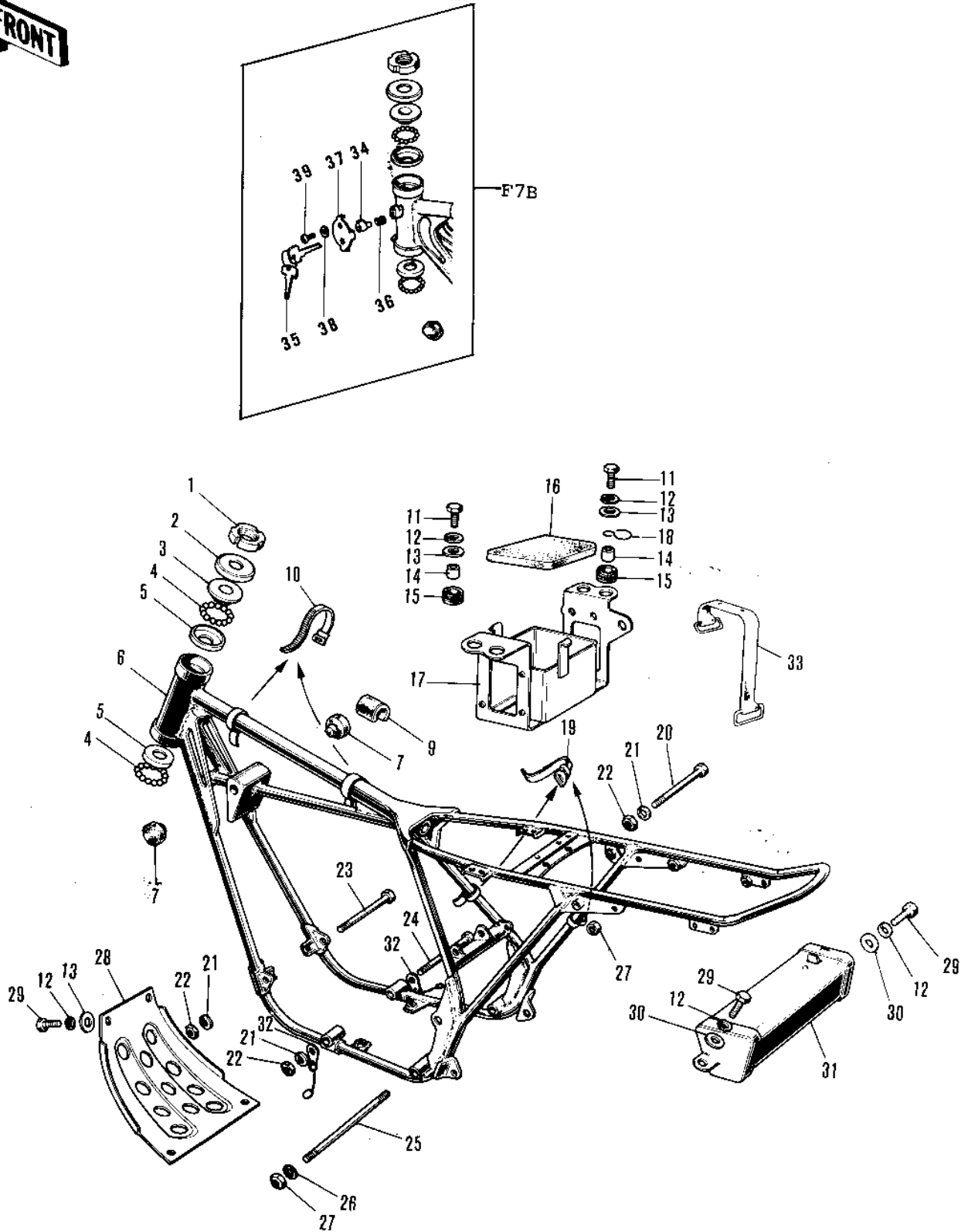


# 1972 F7-A PARTS DIAGRAM

FRAME/FRAME FITTINGS ('71-'73 F7/F7-A/F7)



# 1972 F7-A PARTS LIST

## FRAME/FRAME FITTINGS ('71-'73 F7/F7-A/F7)

ITEM NAME	PART NUMBER	QUANTITY
NUT STEERING STEM LCK (Ref # 1)	92090-006	
CAP STEERING STEM (Ref # 2)	46098-005	
CONE UPPER BEARING (Ref # 3)	92047-005	
BALL STEEL 3/16" (Ref # 4)	600A0600	
RACE BEARING (Ref # 5)	92048-004	
UNAVAILABLE IN PRICE BOOK (Ref # 6)	32002-043	
FRAME (Ref # 6)	32002-060	
DAMPER RUBBER FUEL TANK (Ref # 7)	92075-050	
MAT FUEL TANK (Ref # 8)	51067-002	
MAT FUEL TANK (Ref # 9)	51067-002	
BAND, LONG (Ref # 10)	92072-032	
BOLT-UPSET, 6X20 (Ref # 11)	112G0620	
BOLT-UPSET, 6X20 (Ref # 11)	112G0620	
WASHER SPRING 6MM (Ref # 12)	461F0600	
WASHER 6.5X20X1.6T (Ref # 13)	92022-125	
COLLAR (Ref # 14)	92027-103	
DAMPER RUBBER (Ref # 15)	92075-051	
MAT-BATTERY (Ref # 16)	32103-019	
CASE-BATTERY (Ref # 17)	32097-018	
CLAMP CABLE (Ref # 18)	92037-026	
BAND, MIDDLE (Ref # 19)	92072-031	
BOLT, FLANGED, 10X115 (Ref # 20)	92001-1603	
WASHER SPRING 10MM (Ref # 21)	461F1000	
NUT, 10MM (Ref # 22)	314B1000	
BOLT-HEX HEAD, 10X145 (Ref # 23)	113B10145	
BOLT, HEX HEAD, 10X150 (Ref # 23)	92001-1251	
BOLT-HEX HEAD, 10X225 (Ref # 24)	113B10225	
BOLT-HEX HEAD, 10X225 (Ref # 24)	113B10225	
STUD, 12X290 (Ref # 25)	92006-003	

## 1972 F7-A PARTS LIST

FRAME/FRAME FITTINGS ('71-'73 F7/F7-A/F7)

ITEM NAME	PART NUMBER	QUANTITY
WASHER SPRING 12MM (Ref # 26)	461F1200	
NUT-HEX-FINE (Ref # 27)	314B1200	
GUARD-ENGINE (Ref # 28)	55011-012	
BOLT-UPSET,6X12 (Ref # 29)	112G0612	
WASHER PLAIN 6MM (Ref # 30)	410B0600	
BOX-TOOL (Ref # 31)	32098-013	
UNAVAILABLE IN PRICE BOOK (Ref # 32)	58041-006	
CHAIN (Ref # 32)	58041-012	
BAND TOOL (Ref # 33)	92072-012	
LOCK ASSY-STEERING (Ref # 34~35)	27016-029	
KEY SET-STRNG #270 (Ref # 35)	27018-015-70	
KEY SET-STRNG #271 (Ref # 35)	27018-015-71	
KEY SET-STRNG #272 (Ref # 35)	27018-015-72	
KEY SET-STRNG #273 (Ref # 35)	27018-015-73	
KEY SET-STRNG #274 (Ref # 35)	27018-015-74	
SPRING-STEERING LOCK (Ref # 36)	27032-001	
CAP,STEERING LOCK (Ref # 37)	11012-1134	
WASHER (Ref # 38)	92097-003	
SCREW-TAPPING (Ref # 39)	92008-007	