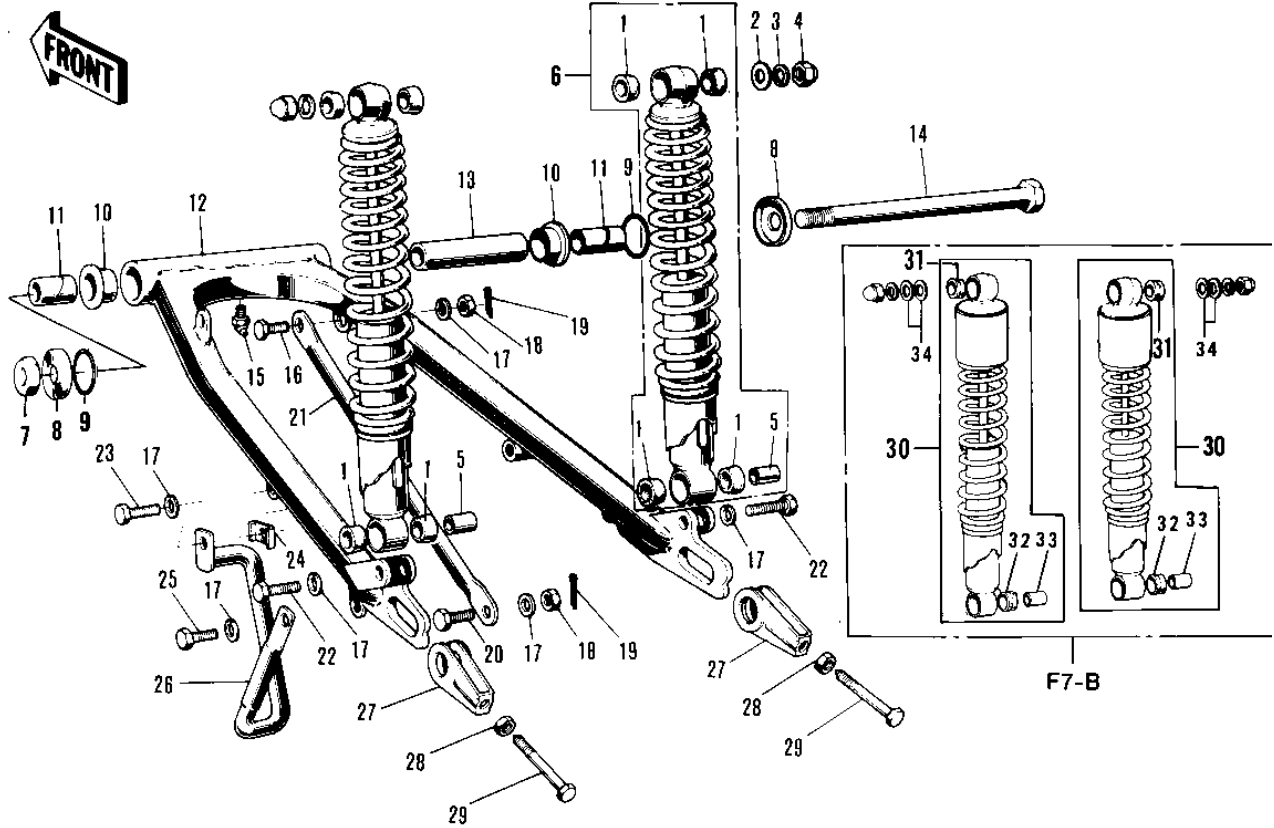
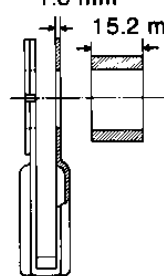
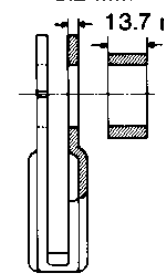


1974 F7-C PARTS DIAGRAM

SWING ARM/SHOCK ABSORBERS ('71-'73 F7/F7)



Ref. No. 27, Chain Adjuster		
	OLD	NEW
	1.6 mm 15.2 mm	3.2 mm 13.7 mm
		
Chain Adjuster	33041-041	33041-048
Collar	42032-027	42032-036
Frame No.	~20779	20780~
Interchange?	Use new parts as a set in place of old parts.	

NOTE: See Rear Hub page for Collar.

83a 27

1974 F7-C PARTS LIST

SWING ARM/SHOCK ABSORBERS ('71-'73 F7/F7)

ITEM NAME	PART NUMBER	QUANTITY
BUSH SHOCK ABSORBER (Ref # 1)	45017-003	
BUSH-SHOCK ABSORBER (Ref # 1)	45017-005	
WASHER-PL-10.5X26X2.3 (Ref # 2)	92022-044	
WASHER SPRING 10MM (Ref # 3)	461F1000	
NUT SHOCK ABSORBER (Ref # 4)	92020-003	
BUSH SHCK ABS PVT SFT (Ref # 5)	45016-003	
SHOCK ABSORBER-REAR (Ref # 6)	45014-058	
SHOCK ABSBR RR (Ref # 6)	45014-070	
NUT-LOCK,12MM (Ref # 7)	92019-009	
CAP-SWINGING ARM (Ref # 8)	33035-005	
"0" RING,30MM (Ref # 9)	671B2530	
BUSHING-SWING ARM (Ref # 10)	33033-009	
SLEEVE-SWINGING ARM (Ref # 11)	33034-016	
ARM-SWING (Ref # 12)	33001-035	
COLLAR SWING ARM (Ref # 13)	33036-002	
SHAFT-SWING ARM PIVOT (Ref # 14)	33032-029	
GREASE NIPPLE (Ref # 15)	92005-002	
BOLT TORQUE LINK FIT (Ref # 16)	92003-017	
WASHER SPRING 10MM (Ref # 17)	461F1000	
NUT,10MM (Ref # 18)	314B1000	
NUT,10MM (Ref # 18)	314B1000	
PIN COTTER 2.0X15 (Ref # 19)	550D2015	
BOLT HEX HEAD 10X25 (Ref # 20)	92003-003	
TORQUE LINK REAR BRK (Ref # 21)	43007-018	
BOLT HEX HEAD 10X35 (Ref # 22)	113N1035	
BOLT,HEX HEAD,10X50 (Ref # 23)	92001-1254	
NUT-CHAIN GUARD FIT (Ref # 24)	92017-009	
BOLT,HEX HEAD,10X18 (Ref # 25)	113G1018	
GUARD-CHAIN (Ref # 26)	55020-005	

1974 F7-C PARTS LIST

SWING ARM/SHOCK ABSORBERS ('71-'73 F7/F7)

ITEM NAME	PART NUMBER	QUANTITY
ADJUSTER-CHAIN (Ref # 27)	33040-041	
ADJUSTER-CHAIN (Ref # 27)	33040-048	
NUT 8MM (Ref # 28)	312B0800	
BOLT,8X50 (Ref # 29)	92001-1399	
BOLT,8X50 (Ref # 29)	92001-1399	
SHOCK ABSBR RR (Ref # 30)	45014-075	
BUSHING,SHCK ABS RUB (Ref # 31)	45017-018	
BUSHING,RUBBER (Ref # 32)	92075-1020	
BUSHING,RUBBER (Ref # 32)	92075-1020	
BUSH SHCK ABS PVT SFT (Ref # 33)	45016-003	
WASHER-PL-10.5X26X2.3 (Ref # 37)	92022-044	