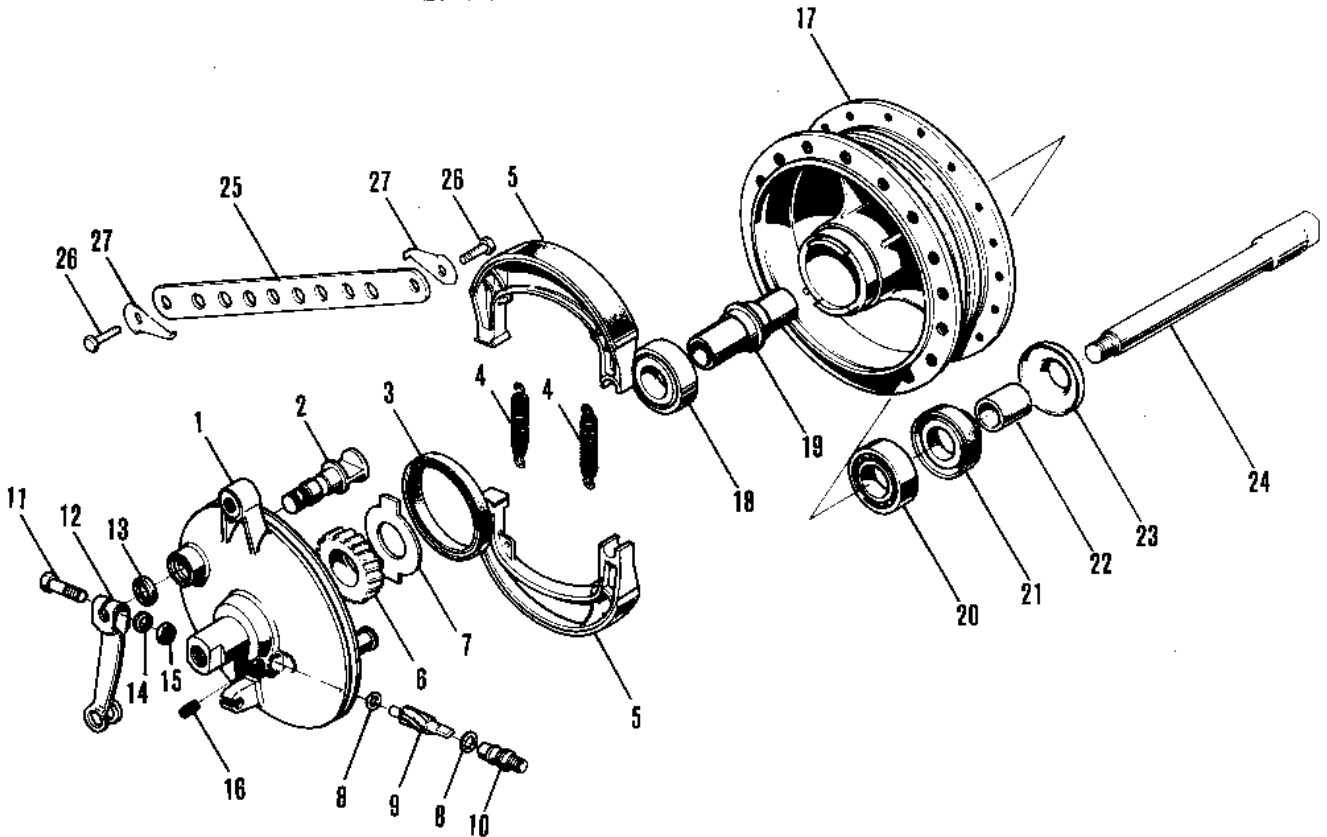


1972 F7-A PARTS DIAGRAM

FRONT HUB/BRAKE ('71-'73 F7/F7-A/F7-B)



1972 F7-A PARTS LIST

FRONT HUB/BRAKE ('71-'73 F7/F7-A/F7-B)

ITEM NAME	PART NUMBER	QUANTITY
PANEL-ASY,FR BRK BUFF (Ref # 1~16)	41035-044-80	
PANEL-ASY,FR BRK BUFF (Ref # 1~16)	41035-044-80	
CAM SHAFT-FRONT BRAKE (Ref # 2)	41050-018	
OIL SEAL F BRK PANEL (Ref # 3)	92050-010	
SPRING,BRAKE SHOE (Ref # 4)	92081-1766	
SHOE,BRAKE (Ref # 5)	41048-1007	
GEAR-SPEEDOMETER (Ref # 6)	41059-012	
RECIEVER-SPEED GEAR (Ref # 7)	41064-006	
WASHER THRST SPD PINI (Ref # 8)	41063-001	
PINION SPEEDOMETER (Ref # 9)	41060-004	
BUSH SPEEDMETER CABLE (Ref # 10)	41062-001	
BOLT-UPSET (Ref # 11)	112G0630	
LEVER FRONT BRAKE CAM (Ref # 12)	41053-005	
WASHER BRAKE CAM SHT (Ref # 13)	41052-001	
WASHER PLAIN 6MM (Ref # 14)	410B0600	
NUT 6MM (Ref # 15)	311B0600	
SCREW-BUSHING NET (Ref # 16)	41070-004	
SCREW-BUSHING NET (Ref # 16)	41070-004	
PIN,SPRING (Ref # 16)	41082-001	
DRUM ASSY-FRONT BRAKE (Ref # 17~21)	41034-020	
BEARING BALL #6301Z (Ref # 18)	601B6301Z	
SPACER FR HUB BEARING (Ref # 19)	41039-005	
BEARING BALL #6301 (Ref # 20)	601B6301	
OIL SEAL FR BRK DRUM (Ref # 21)	92050-011	
COLLAR FRONT HUB R.H (Ref # 22)	41069-005	
DUST SHIELD FR BRAKE (Ref # 23)	41042-006	
AXLE-FRONT (Ref # 24)	41068-032	
TORQUE LINK-FRNT BRK (Ref # 25)	43007-022	
BOLT-HEA HEAD,8X20 (Ref # 26)	92001-086	