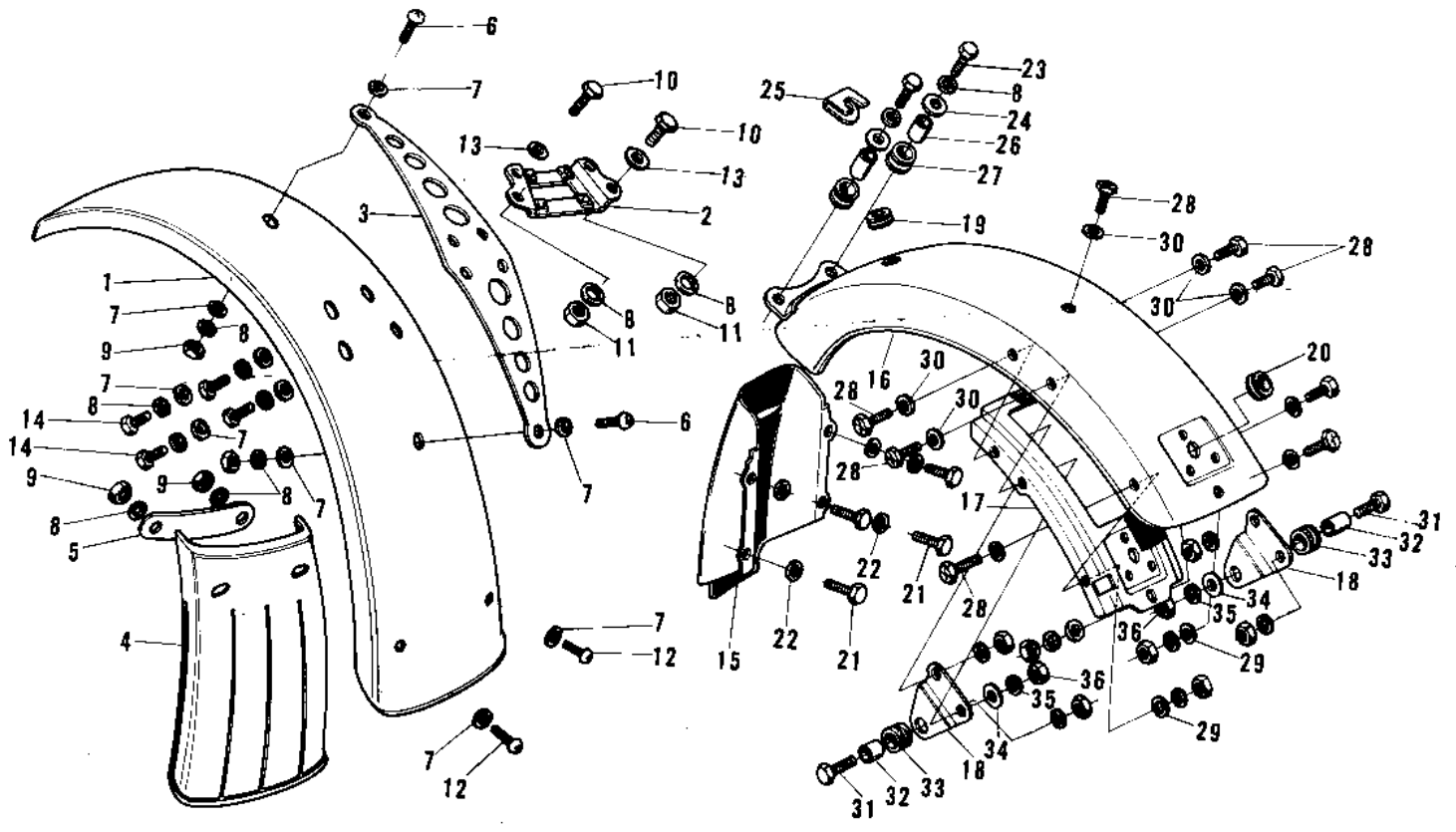


1975 F7-D PARTS DIAGRAM

FENDERS (F7-A)



1975 F7-D PARTS LIST

FENDERS (F7-A)

ITEM NAME	PART NUMBER	QUANTITY
FENDER-FR,RED (Ref # 1)	35004-055-73	
BRACKET-FRONT FENDER (Ref # 2)	35012-013	
PLATE FRONT FENDER (Ref # 3)	35013-003	
FLAP-FR FENDER,RUBBER (Ref # 4)	35019-004	
PLATE-FR FENDER FLAP (Ref # 5)	35020-007	
SCREW PAN HEAD 6X12 (Ref # 6)	220E0612	
WASHER 6.5X20X1.6T (Ref # 7)	92022-125	
WASHER SPRING 6MM (Ref # 8)	461F0600	
NUT 6MM (Ref # 9)	312B0600	
BOLT-UPSET (Ref # 10)	112G0625	
NUT 6MM (Ref # 11)	311B0600	
SCREW PAN HEAD 6X14 (Ref # 12)	220E0614	
WASHER PLAIN 6MM (Ref # 13)	410B0600	
BOLT-UPSET,6X12 (Ref # 14)	112G0612	
FENDER-RR (Ref # 15)	35022-053	
FENDER-RR,RED (Ref # 16)	35022-054-73	
BRACE-REAR FENDER (Ref # 17)	35034-012	
BRACKET-REAR FENDER (Ref # 18)	35025-019	
GROMMET HARNESS 10MM (Ref # 19)	92071-010	
GROMMET HARNESS 10MM (Ref # 20)	92071-019	
BOLT-UPSET 6X14 (Ref # 21)	112B0614	
COLLAR (Ref # 22)	92027-122	
BOLT-UPSET (Ref # 23)	112G0618	
WASHER 6.5X20X1.6T (Ref # 24)	92022-125	
PLATE-GROUND WIRE (Ref # 25)	26015-001	
COLLAR (Ref # 26)	92027-103	
DAMPER RUBBER (Ref # 27)	92075-051	
SCREW PAN HEAD 6X14 (Ref # 28)	220B0614	
WASHER PLAIN 6MM (Ref # 29)	411B0600	

1975 F7-D PARTS LIST

FENDERS (F7-A)

ITEM NAME	PART NUMBER	QUANTITY
WASHER PLAIN (Ref # 30)	92022-024	
BOLT-SMALL-UPSET (Ref # 31)	115B0832	
SPACER FUEL TANK MONT (Ref # 32)	92027-012	
DAMPER RUBB TANK FRNT (Ref # 33)	92075-013	
WASHER,8X26X2.3 (Ref # 34)	92022-1564	
WASHER SPRING 8MM (Ref # 35)	461F0800	
NUT,8MM (Ref # 36)	311B0800	