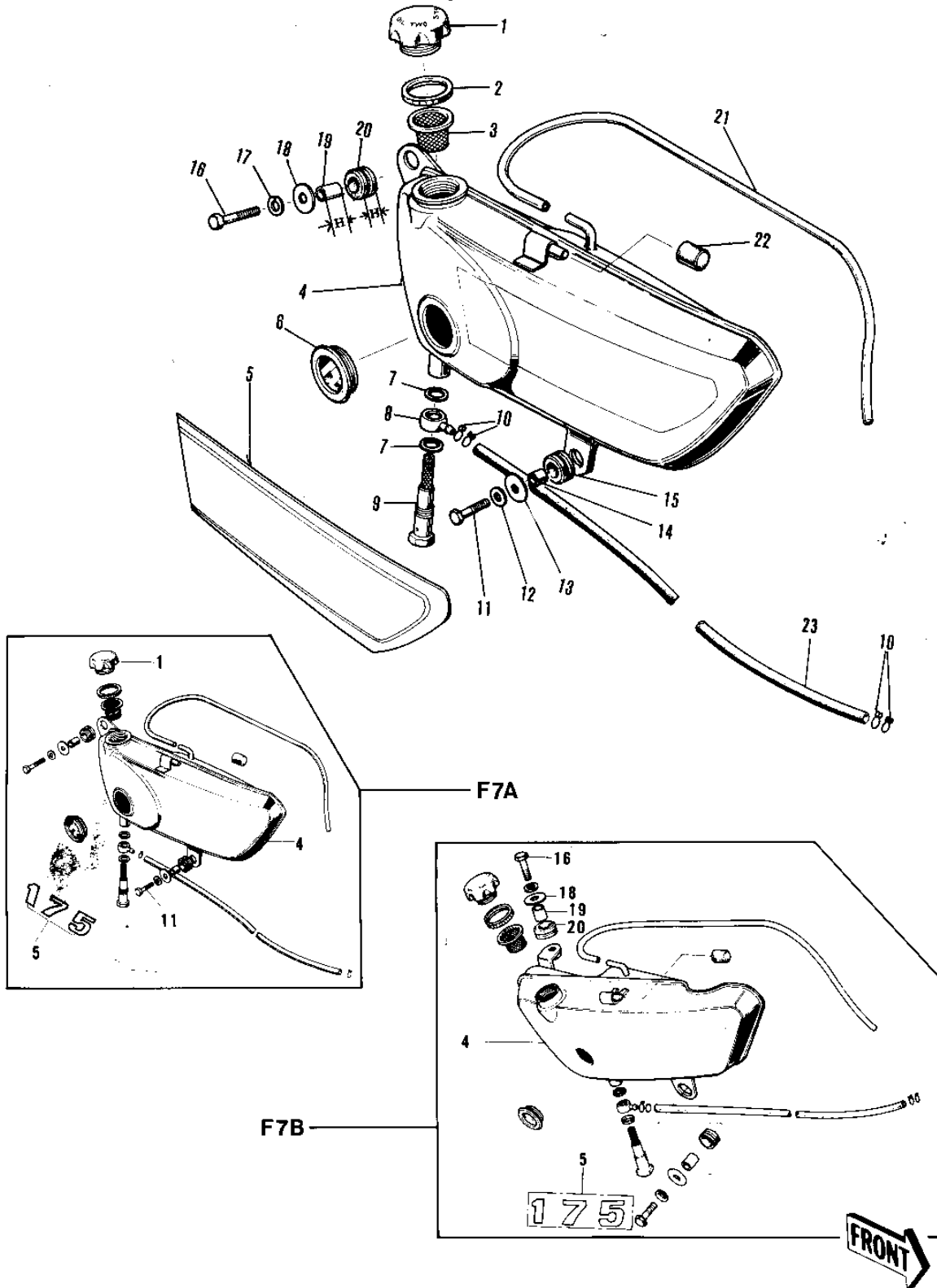


1974 F7-C PARTS DIAGRAM

OIL TANK (71-73 F7/F7-A/F7-B)



1974 F7-C PARTS LIST

OIL TANK ('71-'73 F7/F7-A/F7-B)

ITEM NAME	PART NUMBER	QUANTITY
CAP OIL TANK (Ref # 1)	52003-001	
CAP-OIL TANK (Ref # 1)	52003-018	
GASKET OIL TANK CAP (Ref # 2)	92065-018	
GASKET OIL TANK CAP B (Ref # 3)	52004-001	
TANK-OIL,YELLOW (Ref # 4)	52001-022-53	
TANK-OIL,RED (Ref # 4)	52001-022-73	
TANK-OIL,F.BLACK (Ref # 4)	52001-032-21	
EMBLEM-OIL TANK (Ref # 5)	56018-060	
EMBLEM-OIL TANK (Ref # 5)	56018-108	
GAUGE OIL LEVEL (Ref # 6)	52015-001	
GASKET CHECK VALVE (Ref # 7)	92065-058	
CONNECTOR BANJO (Ref # 8)	92061-003	
BOLT OIL TANK BANJO (Ref # 9)	92060-001	
CLAMP FUEL PIPE (Ref # 10)	92037-010	
BOLT-SMALL-UPSET 8X25 (Ref # 11)	115G0825	
BOLT HEX HEAD 8X28 (Ref # 11)	114G0828	
WASHER SPRING 8MM (Ref # 12)	461F0800	
WASHER,8X26X2.3 (Ref # 13)	92022-1564	
SPACER FUEL TANK MONT (Ref # 14)	51065-001	
COLLAR (Ref # 14)	92027-102	
DAMPER RUBB TANK FRNT (Ref # 15)	92075-019	
DAMPER RUBBER-MUFFLER (Ref # 15)	18063-005	
BOLT-UPSET (Ref # 16)	112G0618	
BOLT-UPSET,6X20 (Ref # 16)	112G0620	
WASHER SPRING 6MM (Ref # 17)	461F0600	
WASHER 6.5X20X1.6T (Ref # 18)	92022-125	
WASHER 6.5X20X1.6T (Ref # 18)	92022-125	
COLLAR (Ref # 19)	92027-103	
COLLAR,6.8X10X8.5 (Ref # 19)	92027-129	

1974 F7-C PARTS LIST

OIL TANK ('71-'73 F7/F7-A/F7-B)

ITEM NAME	PART NUMBER	QUANTITY
DAMPER RUBBER (Ref # 20)	92075-051	
DAMPER RUBBER (Ref # 20)	92075-112	
DAMPER RUBBER (Ref # 20)	92075-105	
TUBE-VINYL,5X600 (Ref # 21)	700Q05600	
DAMPER RUBBER (Ref # 22)	92075-067	
PIPE OIL TANK (Ref # 23)	92059-008	