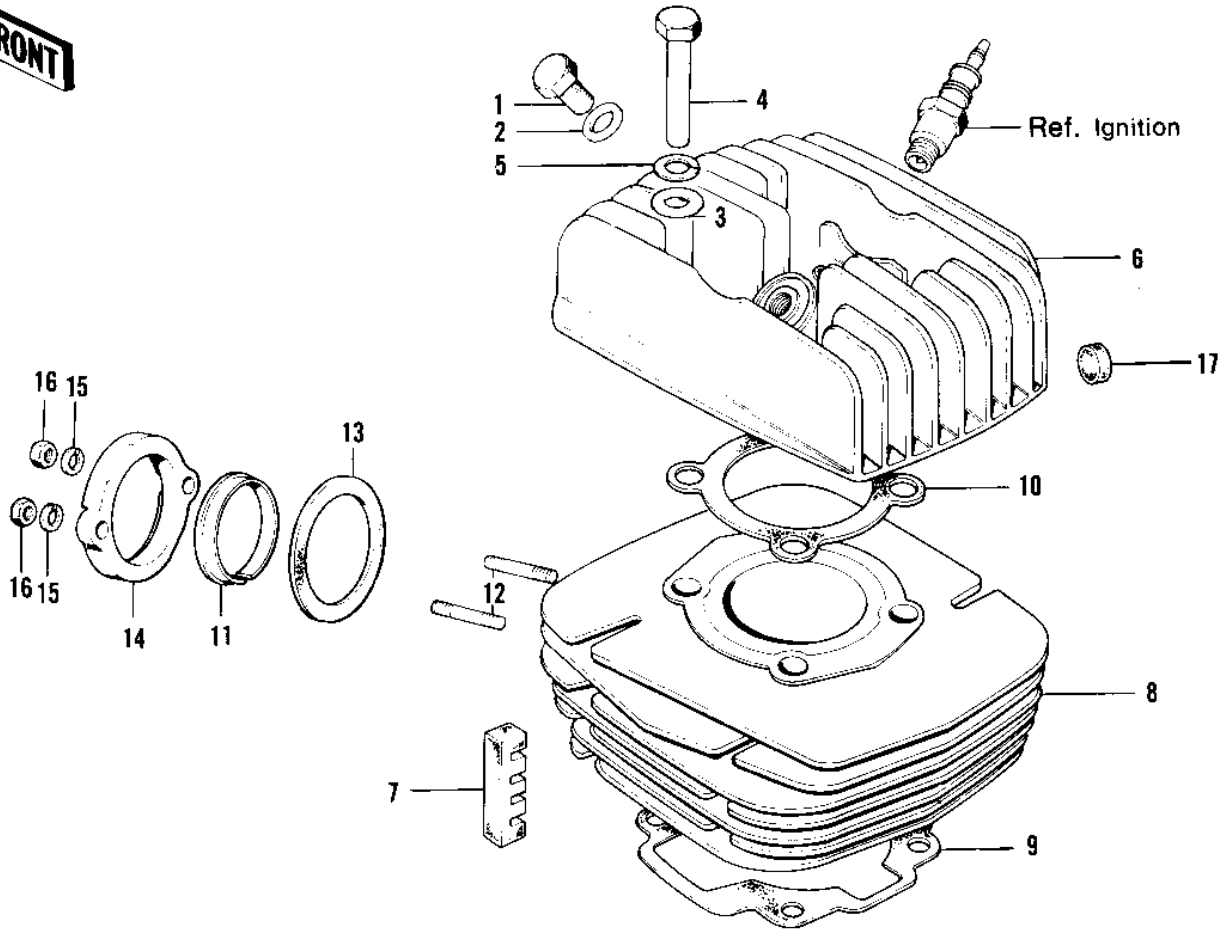
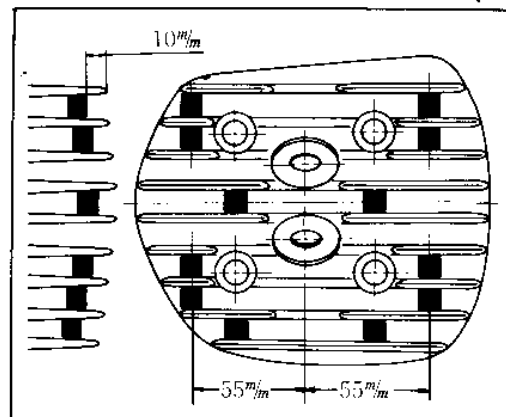


# 1971 F7 PARTS DIAGRAM

CYLINDER HEAD/CYLINDER ('74-'75 F7-C/F6-



Location of Damper Rubber



## 1971 F7 PARTS LIST

CYLINDER HEAD/CYLINDER ('74-'75 F7-C/F6-

ITEM NAME	PART NUMBER	QUANTITY
PLUG-CYLINDER HEAD (Ref # 1)	92067-005	1
GASKET-CYL HEAD PLUG (Ref # 2)	92065-068	1
WASHER PLAIN 12MM (Ref # 3)	92022-072	4
NUT 8MM (Ref # 4)	92015-020	4
WASHER SPRING 12MM (Ref # 5)	461F1200	4
CYLINDER HEAD,BLACK (Ref # 6)	11001-092-21	1
DAMPER RUBBER-CYLINDER (Ref # 7)	92075-142	5
CYLINDER,FLAT.BLACK (Ref # 8)	11005-117-21	1
GASKET-CYLINDER BASE (Ref # 9)	11009-026	1
GASKET-CYLINDER HEAD (Ref # 10)	11004-042	1
INSERT,EXHAUST HOLDER (Ref # 11)	18070-007	1
STUD,8X25 (Ref # 12)	92004-1008	2
STUD,8X25 (Ref # 12)	92004-1008	2
STUD 8X30 (Ref # 12)	172G0830	2
GASKET EXHAUST PIPE (Ref # 13)	18067-008	1
HOLDER,EXHAUST PIPE (Ref # 14)	18069-051	1
WASHER SPRING 8MM (Ref # 15)	461F0800	2
NUT,8MM (Ref # 16)	311B0800	2
NUT,LOCK,8MM (Ref # 16)	92017-013	2
DAMPER RUBBER (Ref # 17)	92075-075	12