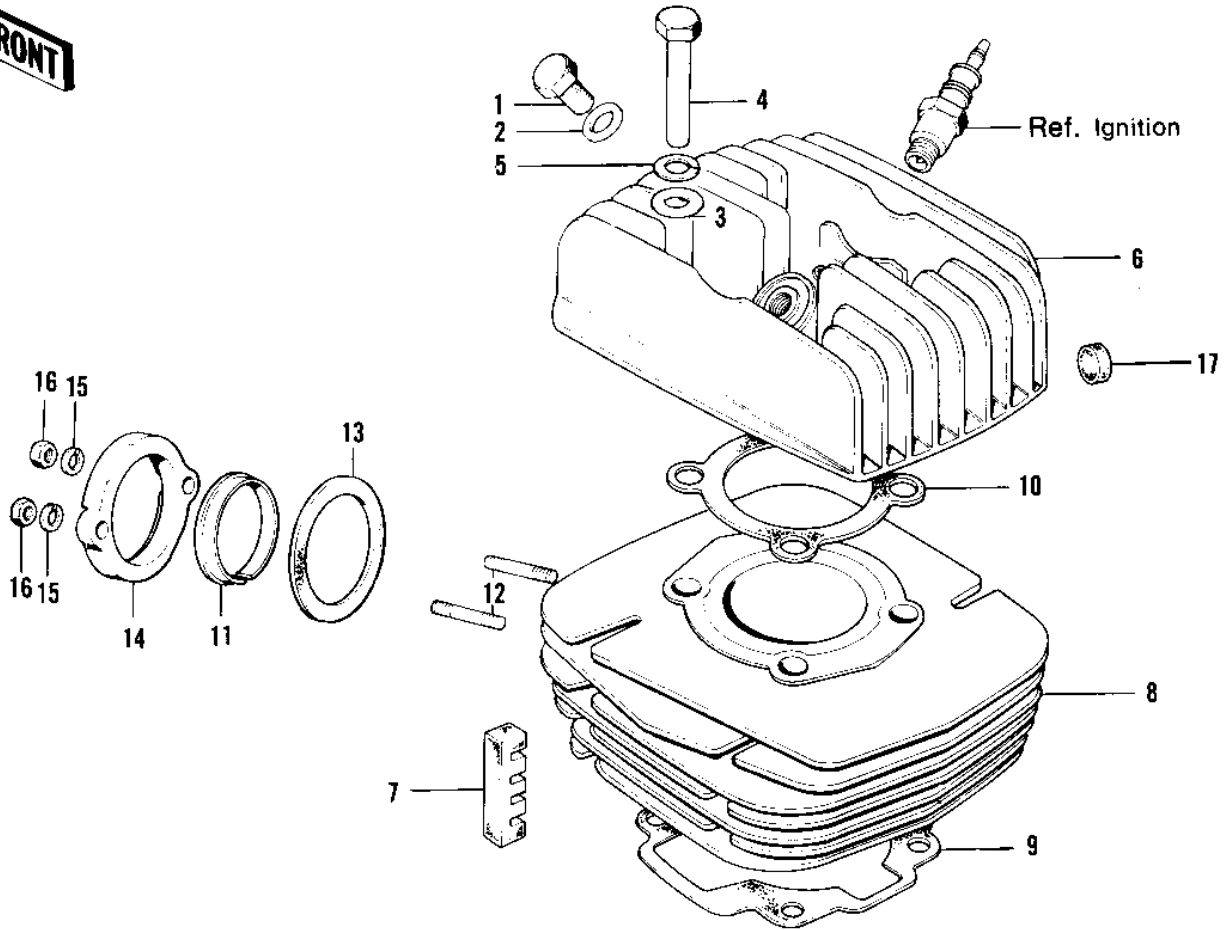
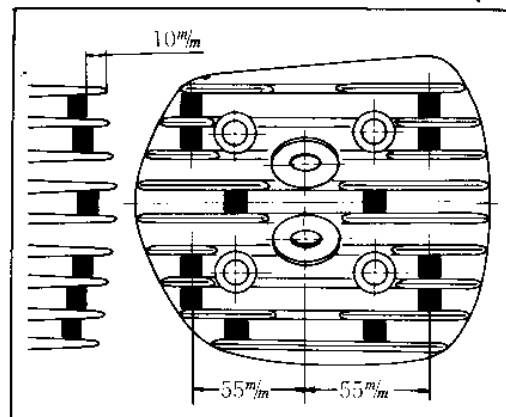


# 1973 F7-B PARTS DIAGRAM

CYLINDER HEAD/CYLINDER ('74-'75 F7-C/F6-



Location of Damper Rubber



## 1973 F7-B PARTS LIST

CYLINDER HEAD/CYLINDER ('74-'75 F7-C/F6-

| ITEM NAME                        | PART NUMBER  | QUANTITY |
|----------------------------------|--------------|----------|
| PLUG-CYLINDER HEAD (Ref # 1)     | 92067-005    |          |
| GASKET-CYL HEAD PLUG (Ref # 2)   | 92065-068    |          |
| WASHER PLAIN 12MM (Ref # 3)      | 92022-072    |          |
| NUT 8MM (Ref # 4)                | 92015-020    |          |
| WASHER SPRING 12MM (Ref # 5)     | 461F1200     |          |
| CYLINDER HEAD,BLACK (Ref # 6)    | 11001-092-21 |          |
| DAMPER RUBBER-CYLINDER (Ref # 7) | 92075-142    |          |
| CYLINDER,FLAT.BLACK (Ref # 8)    | 11005-117-21 |          |
| GASKET-CYLINDER BASE (Ref # 9)   | 11009-026    |          |
| GASKET-CYLINDER HEAD (Ref # 10)  | 11004-042    |          |
| INSERT,EXHAUST HOLDER (Ref # 11) | 18070-007    |          |
| STUD,8X25 (Ref # 12)             | 92004-1008   |          |
| STUD,8X25 (Ref # 12)             | 92004-1008   |          |
| STUD 8X30 (Ref # 12)             | 172G0830     |          |
| GASKET EXHAUST PIPE (Ref # 13)   | 18067-008    |          |
| HOLDER,EXHAUST PIPE (Ref # 14)   | 18069-051    |          |
| WASHER SPRING 8MM (Ref # 15)     | 461F0800     |          |
| NUT,8MM (Ref # 16)               | 311B0800     |          |
| NUT,LOCK,8MM (Ref # 16)          | 92017-013    |          |
| DAMPER RUBBER (Ref # 17)         | 92075-075    |          |