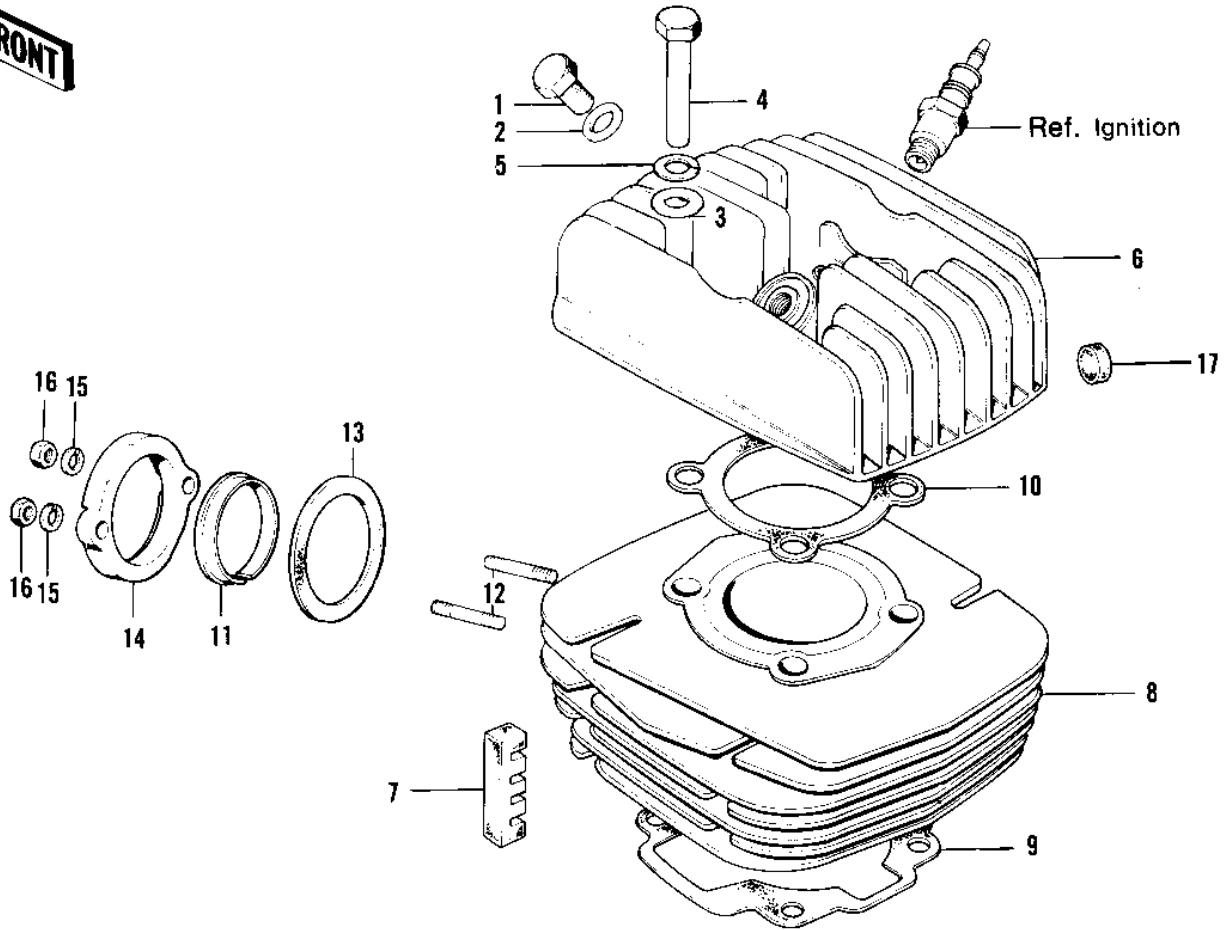
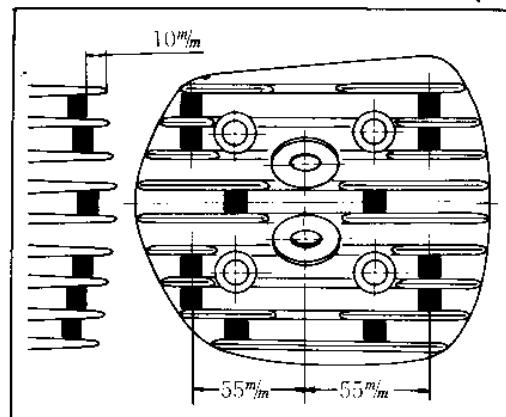


1974 F7-C PARTS DIAGRAM

CYLINDER HEAD/CYLINDER ('74-'75 F7-C/F6-



Location of Damper Rubber



1974 F7-C PARTS LIST

CYLINDER HEAD/CYLINDER ('74-'75 F7-C/F6-

| ITEM NAME | PART NUMBER | QUANTITY |
|----------------------------------|--------------|----------|
| PLUG-CYLINDER HEAD (Ref # 1) | 92067-005 | |
| GASKET-CYL HEAD PLUG (Ref # 2) | 92065-068 | |
| WASHER PLAIN 12MM (Ref # 3) | 92022-072 | |
| NUT 8MM (Ref # 4) | 92015-020 | |
| WASHER SPRING 12MM (Ref # 5) | 461F1200 | |
| CYLINDER HEAD,BLACK (Ref # 6) | 11001-092-21 | |
| DAMPER RUBBER-CYLINDER (Ref # 7) | 92075-142 | |
| CYLINDER,FLAT.BLACK (Ref # 8) | 11005-117-21 | |
| GASKET-CYLINDER BASE (Ref # 9) | 11009-026 | |
| GASKET-CYLINDER HEAD (Ref # 10) | 11004-042 | |
| INSERT,EXHAUST HOLDER (Ref # 11) | 18070-007 | |
| STUD,8X25 (Ref # 12) | 92004-1008 | |
| STUD,8X25 (Ref # 12) | 92004-1008 | |
| STUD 8X30 (Ref # 12) | 172G0830 | |
| GASKET EXHAUST PIPE (Ref # 13) | 18067-008 | |
| HOLDER,EXHAUST PIPE (Ref # 14) | 18069-051 | |
| WASHER SPRING 8MM (Ref # 15) | 461F0800 | |
| NUT,8MM (Ref # 16) | 311B0800 | |
| NUT,LOCK,8MM (Ref # 16) | 92017-013 | |
| DAMPER RUBBER (Ref # 17) | 92075-075 | |