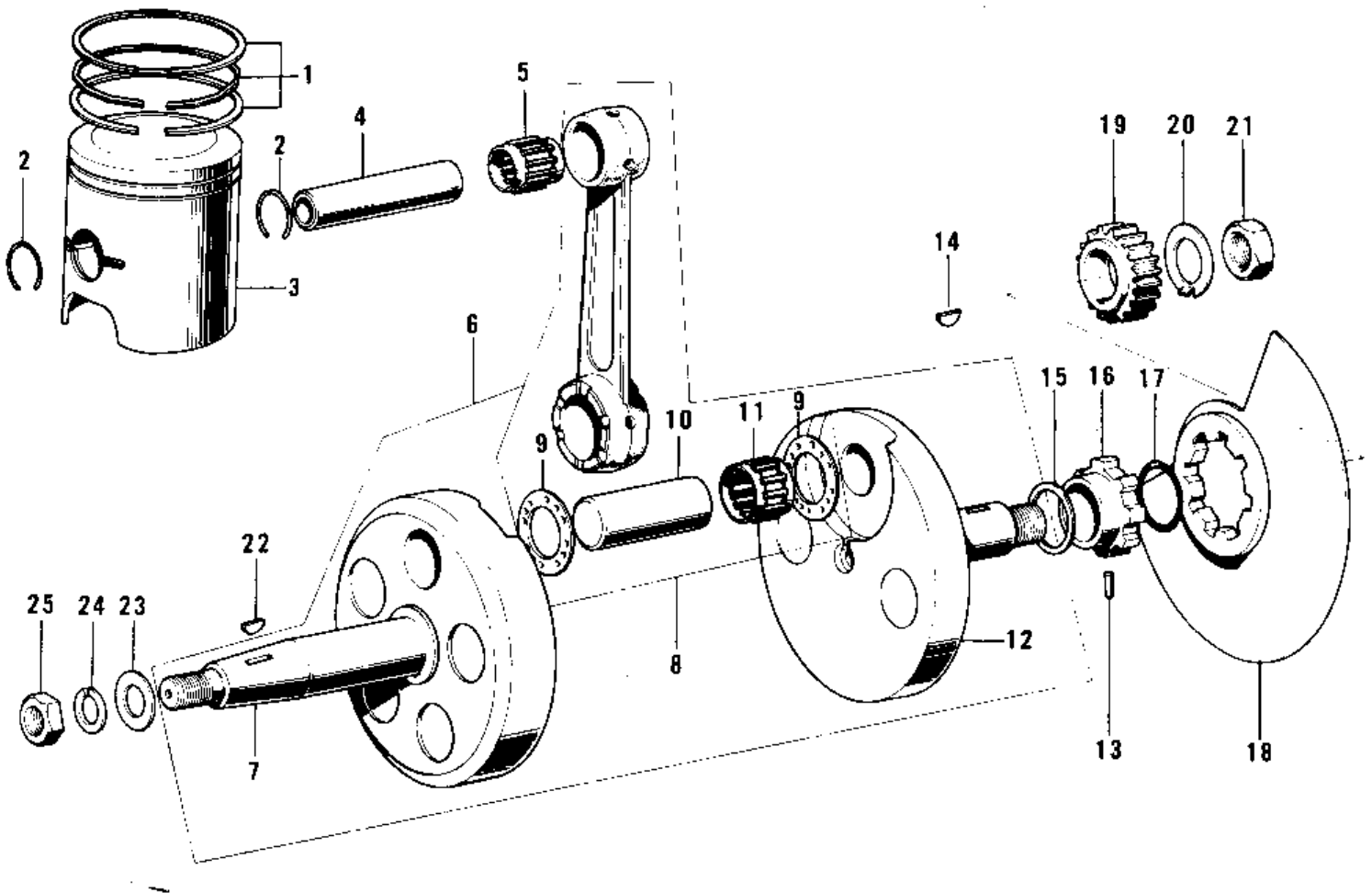


# 1972 F7-A PARTS DIAGRAM

CRANKSHAFT/PISTON/ROTARY VALVE ('74-'75)



# 1972 F7-A PARTS LIST

CRANKSHAFT/PISTON/ROTARY VALVE ('74-'75)

| ITEM NAME                        | PART NUMBER | QUANTITY |
|----------------------------------|-------------|----------|
| RING SET,STD (Ref # 1)           | 13008-027   |          |
| RING SET,0.020'O.S (Ref # 1)     | 13025-032   |          |
| RING SET,0.040'O.S (Ref # 1)     | 13024-035   |          |
| CIRCLIP PISTON PIN (Ref # 2)     | 92036-003   |          |
| PISTON,STD (Ref # 3)             | 13001-042   |          |
| PISTON,0.020'O.S (Ref # 3)       | 13029-048   |          |
| PISTON,0.040'O.S (Ref # 3)       | 13027-046   |          |
| PIN-PISTON (Ref # 4)             | 13002-018   |          |
| BEARING,SMALL END (Ref # 5)      | 13033-034   |          |
| CRANKSHAFT ASSY (Ref # 6)        | 13036-049   |          |
| CRANKSHAFT,L.H (Ref # 7)         | 13037-038   |          |
| CONNECTING ROD SET (Ref # 8)     | 13044-039   |          |
| WASHER SIDE (Ref # 9)            | 92026-011   |          |
| CRANK PIN (Ref # 10)             | 13035-022   |          |
| BEARING,BIG END (Ref # 11)       | 13034-042   |          |
| CRANKSHAFT,R.H (Ref # 12)        | 13038-034   |          |
| PIN DOWEL 4X12 (Ref # 13)        | 610A0412    |          |
| WOODRUFF KEY PRY PINI (Ref # 14) | 92038-003   |          |
| COLLAR-CRANKSHAFT (Ref # 15)     | 92027-118   |          |
| COLLAR-R.H CRNK SHT (Ref # 16)   | 92027-100   |          |
| "0" RING,22MM (Ref # 17)         | 92055-018   |          |
| VALVE-ROTARY DISC (Ref # 18)     | 12002-022   |          |
| PINION,PRIMARY (Ref # 19)        | 13121-027   |          |
| WASHER,LOCK,18MM (Ref # 20)      | 92024-067   |          |
| NUT 18MM (Ref # 21)              | 92015-019   |          |
| WOODRUFF KEY (Ref # 22)          | 92038-001   |          |
| WASHER-PLAIN,14MM (Ref # 23)     | 92022-172   |          |
| WASHER SPRING 14MM (Ref # 24)    | 461F1400    |          |
| NUT 14MM (Ref # 25)              | 92015-043   |          |