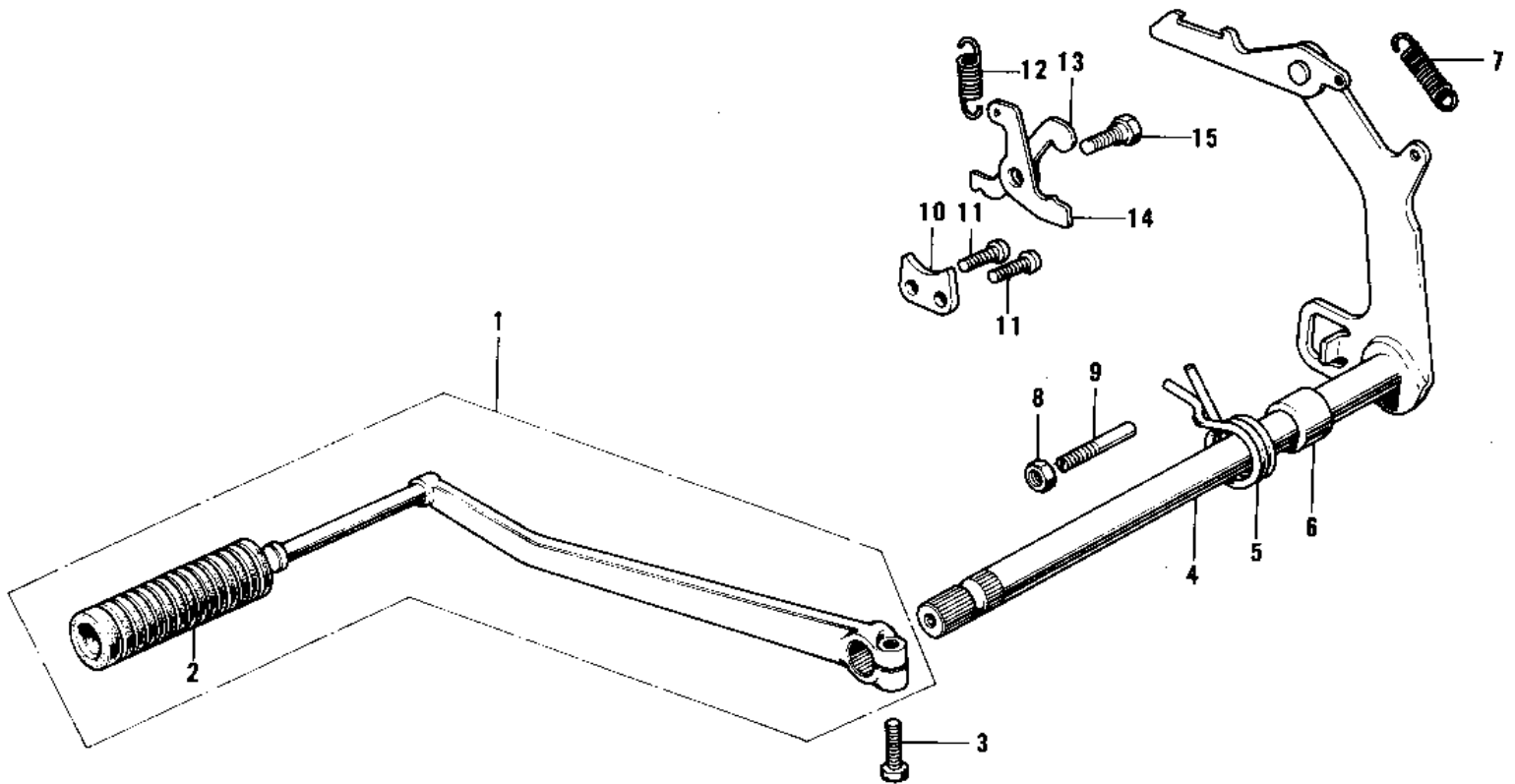


1971 F7 PARTS DIAGRAM

GEAR CHANGE MECHANISM ('74-'75 F7-C/F6-D)



1971 F7 PARTS LIST

GEAR CHANGE MECHANISM ('74-'75 F7-C/F6-D)

ITEM NAME	PART NUMBER	QUANTITY
PEDAL GEAR CHANGE (Ref # 1)	13156-042	1
RUBBER CHANGE PEDAL (Ref # 2)	13157-004	1
BOLT-UPSET,6X20 (Ref # 3)	112G0620	1
LEVER ASSY GEAR CHNG (Ref # 4)	13161-019	1
SPRING,TENTION (Ref # 5)	92081-1129	1
COLLAR (Ref # 6)	92027-121	1
SPRING,CHANGE LEVER (Ref # 7)	92144-1720	1
NUT 8MM (Ref # 8)	312B0800	1
BOLT,RETURN SPRING (Ref # 9)	92001-1401	1
PLATE CHNG DRUM PSTN (Ref # 10)	13169-002	1
SCREW PAN HEAD 6X14 (Ref # 11)	220B0614	2
SPRING-COIL (Ref # 12)	92081-091	1
LEVER-CHANGE DRUM,B (Ref # 13)	13168-017	1
LEVER-GEAR CHNG DRUM (Ref # 14)	13168-021	1
SCREW-PAN HEAD (Ref # 15)	92011-023	1