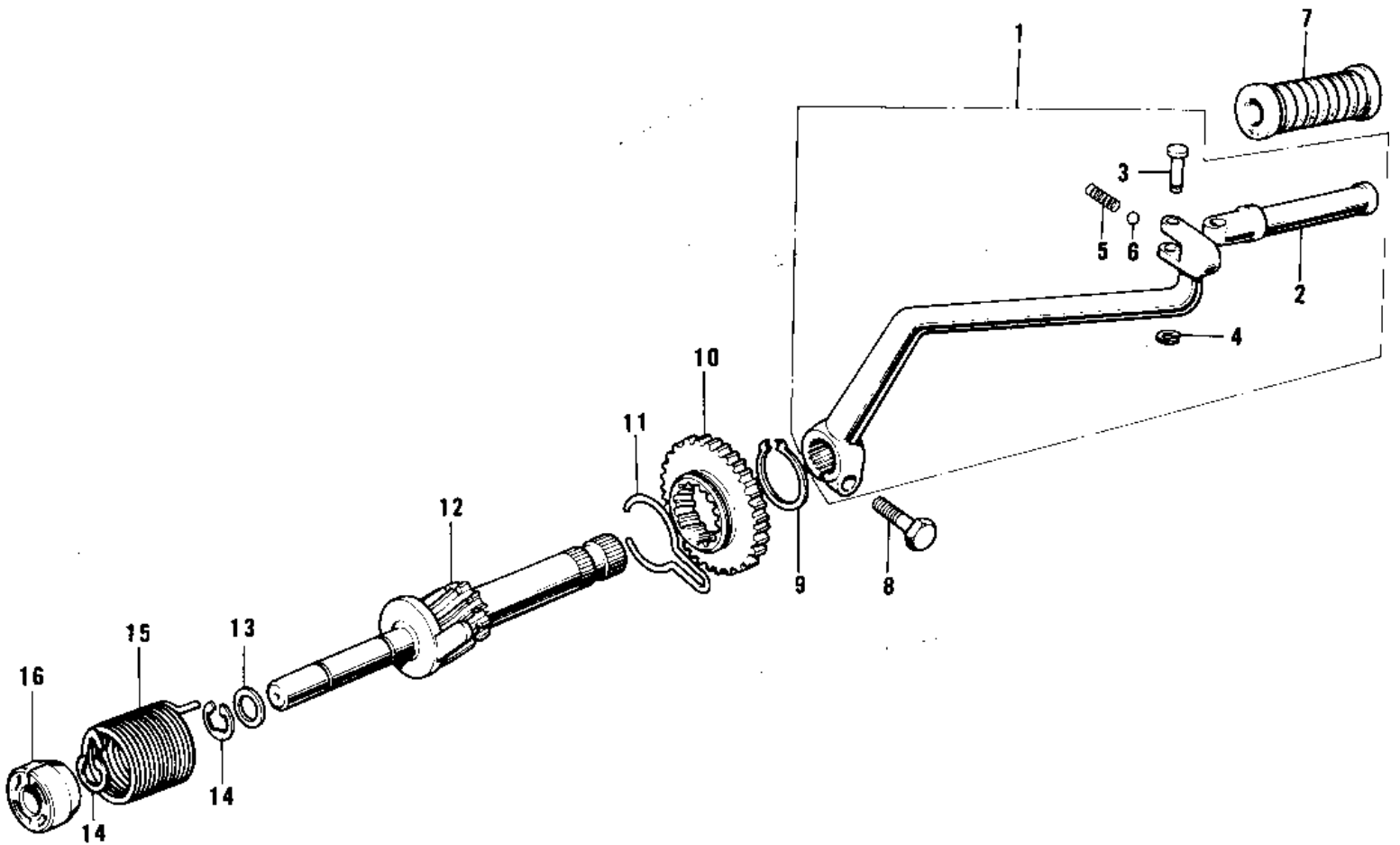


1973 F7-B PARTS DIAGRAM

KICKSTARTER MECHANISM ('74-'75 F7-C/F6-D)



1973 F7-B PARTS LIST

KICKSTARTER MECHANISM ('74-'75 F7-C/F6-D)

ITEM NAME	PART NUMBER	QUANTITY
-----------	-------------	----------