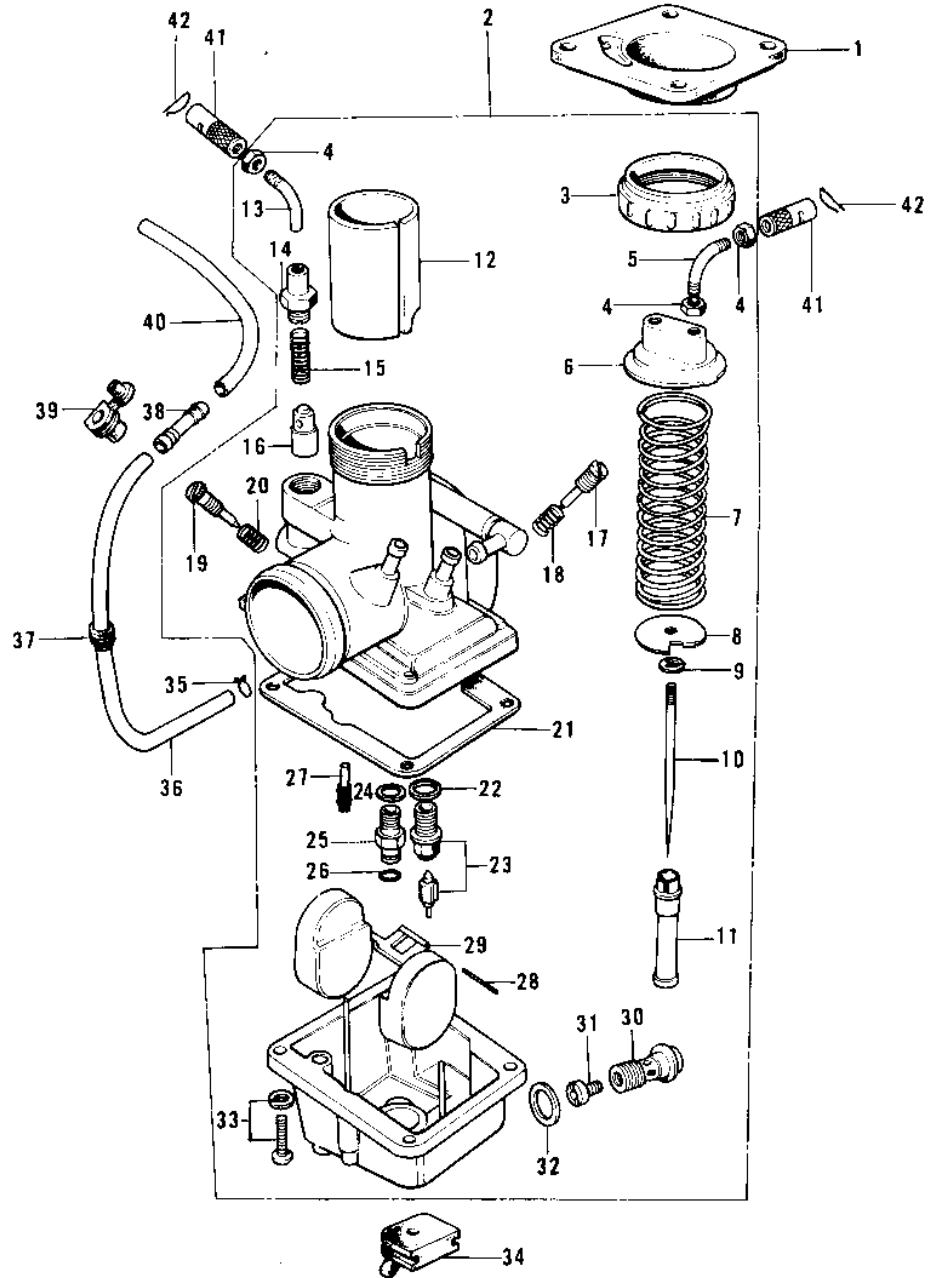


# 1974 F7-C PARTS DIAGRAM

CARBURETOR ('74-'75 F7-C/F6-D)



# 1974 F7-C PARTS LIST

CARBURETOR ('74-'75 F7-C/F6-D)

ITEM NAME	PART NUMBER	QUANTITY
CAP,CARBURETOR (Ref # 1)	14038-038	
CARBURETOR ASSY (Ref # 2)	16001-197	
CAP MIXING CHAMBER (Ref # 3)	16004-011	
NUT CABLE ADJUST LOCK (Ref # 4)	16003-004	
CABLE GUIDE (Ref # 5)	16077-001	
TOP,MIXING CHAMBER (Ref # 6)	16005-025	
SPRING,THROTTLE VALV (Ref # 7)	16006-023	
SPRING SEAT,THRTL VLV (Ref # 8)	16007-025	
CIRCLIP (Ref # 9)	16008-010	
JET NEEDLE 4EJ3 (Ref # 10)	16009-040	
NEEDLE JET,O-G (Ref # 11)	16017-057	
VALVE,THROTTLE CA3.0 (Ref # 12)	16025-070	
GUIDE,CABLE (Ref # 13)	16077-010	
CAP,STARTER PLUNGER (Ref # 14)	16012-017	
SPRING-PLUNGER (Ref # 15)	16013-003	
PLUNGER-ENRICHNER (Ref # 16)	16016-002	
SCREW PILOT AIR ADJST (Ref # 17)	16014-002	
SPRING-THR STOP SCREW (Ref # 18)	16022-007	
SCREW,THROTTLE STOP (Ref # 19)	16021-023	
SPRING THR STOP SCREW (Ref # 20)	16022-005	
GASKET,FLOAT CHAMBER (Ref # 21)	16019-023	
WASHER FLOAT VLV SEAT (Ref # 22)	16029-004	
FLOAT VALVE ASSY,#2.6 (Ref # 23)	16030-025	
WASHER MAIN JET (Ref # 24)	16034-001	
HOLDER-NEEDLE JET (Ref # 25)	16065-008	
"O" RING (Ref # 26)	92055-044	
JET-PILOT NO 30 (Ref # 27)	92064-022	
FLOAT PIN (Ref # 28)	16032-006	
FLOAT (Ref # 29)	16031-026	

## 1974 F7-C PARTS LIST

CARBURETOR ('74-'75 F7-C/F6-D)

ITEM NAME	PART NUMBER	QUANTITY
BOLT-BANJO (Ref # 30)	92001-097	
MAIN JET,#A105R (Ref # 31)	92063-1042	
MAIN JET,#A100 (Ref # 31)	92063-1033	
MAIN JET,#A102.5 (Ref # 31)	92063-1028	
JET-MAIN NO 107.5R (Ref # 31)	92063-073	
MAIN JET,#110R (Ref # 31)	92063-1038	
GASKET-BANJO BOLT (Ref # 32)	16034-005	
SCREW-PAN-WS-CROS (Ref # 33)	223B0414	
GROMMET,OVERFLOW PIPE (Ref # 34)	16136-008	
CLAMP FUEL PIPE (Ref # 35)	92037-010	
PIPE (Ref # 36)	92059-065	
GROMMET PIPE (Ref # 37)	92071-038	
NIPPLE (Ref # 38)	92005-003	
GROMMET (Ref # 39)	92071-073	
PIPE OIL TANK (Ref # 40)	92059-002	
CABLE ADJUSTER (Ref # 41)	16002-007	
CIRCLIP (Ref # 42)	92036-018	