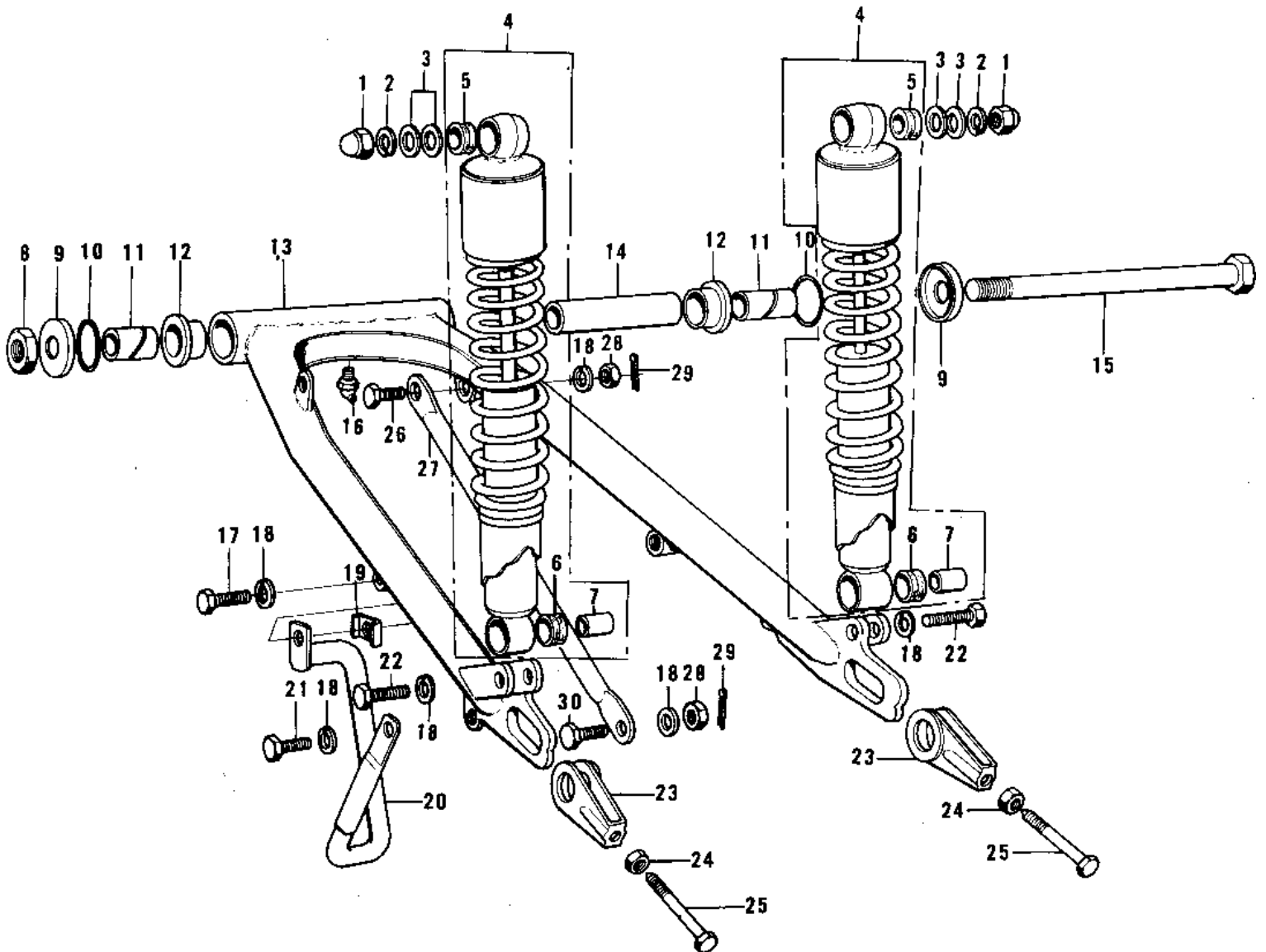


# 1975 F7-D PARTS DIAGRAM

SWING ARM/SHOCK ABSORBERS ('74-'75 F7-C/



# 1975 F7-D PARTS LIST

SWING ARM/SHOCK ABSORBERS ('74-'75 F7-C/

| ITEM NAME                        | PART NUMBER | QUANTITY |
|----------------------------------|-------------|----------|
| NUT SHOCK ABSORBER (Ref # 1)     | 92020-003   |          |
| WASHER SPRING 10MM (Ref # 2)     | 461F1000    |          |
| WASHER-PL-10.5X26X2.3 (Ref # 3)  | 92022-044   |          |
| SHOCK ABSBR RR (Ref # 4)         | 45014-075   |          |
| BUSHING,SHCK ABS RUB (Ref # 5)   | 45017-018   |          |
| BUSHING,RUBBER (Ref # 6)         | 92075-1020  |          |
| BUSH SHCK ABS PVT SFT (Ref # 7)  | 45016-003   |          |
| NUT-LOCK,12MM (Ref # 8)          | 92019-009   |          |
| CAP-SWINGING ARM (Ref # 9)       | 33035-005   |          |
| "0" RING,30MM (Ref # 10)         | 671B2530    |          |
| SLEEVE-SWINGING ARM (Ref # 11)   | 33034-016   |          |
| BUSHING-SWING ARM (Ref # 12)     | 33033-009   |          |
| COLLAR SWING ARM (Ref # 14)      | 33036-002   |          |
| SHAFT-SWING ARM PIVOT (Ref # 15) | 33032-029   |          |
| GREASE NIPPLE (Ref # 16)         | 92005-002   |          |
| BOLT,HEX HEAD,10X50 (Ref # 17)   | 92001-1254  |          |
| WASHER SPRING 10MM (Ref # 18)    | 461F1000    |          |
| NUT-CHAIN GUARD FIT (Ref # 19)   | 92017-009   |          |
| GUARD-CHAIN (Ref # 20)           | 55020-005   |          |
| BOLT,HEX HEAD,10X18 (Ref # 21)   | 113G1018    |          |
| BOLT HEX HEAD 10X35 (Ref # 22)   | 113N1035    |          |
| ADJUSTER-CHAIN (Ref # 23)        | 33040-048   |          |
| NUT 8MM (Ref # 24)               | 312B0800    |          |
| BOLT,8X50 (Ref # 25)             | 92001-1399  |          |
| BOLT TORQUE LINK FIT (Ref # 26)  | 92003-017   |          |
| TORQUE LINK REAR BRK (Ref # 27)  | 43007-018   |          |
| NUT,10MM (Ref # 28)              | 314B1000    |          |
| PIN COTTER 2.0X15 (Ref # 29)     | 550D2015    |          |
| BOLT HEX HEAD 10X25 (Ref # 30)   | 92003-003   |          |