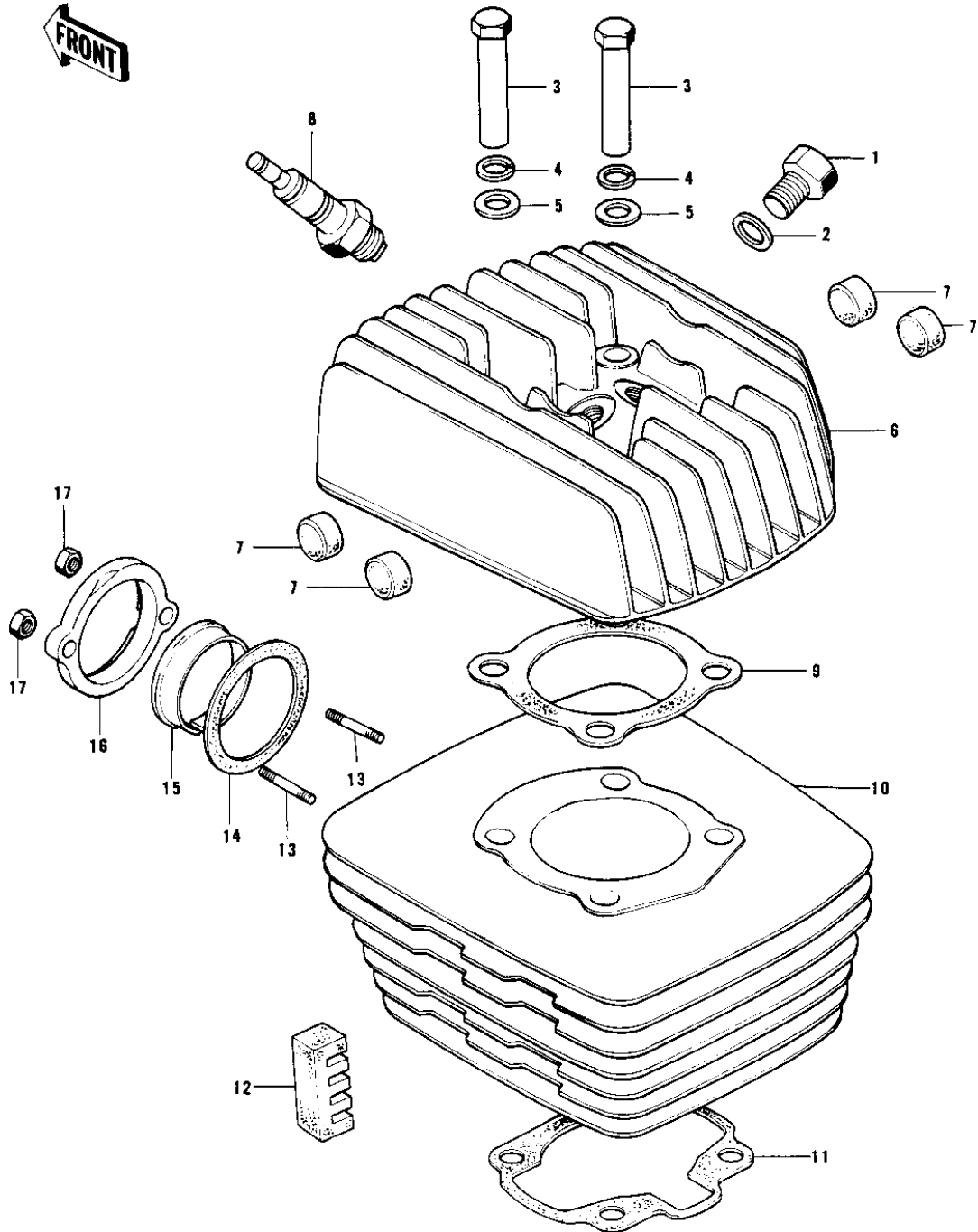


1976 KD175-A1 PARTS DIAGRAM

CYLINDER/HEAD CYLINDER



1976 KD175-A1 PARTS LIST

CYLINDER/HEAD CYLINDER

ITEM NAME	PART NUMBER	QUANTITY
PLUG-CYLINDER HEAD (Ref # 1)	92067-005	1
GASKET-CYL HEAD PLUG (Ref # 2)	92065-068	1
NUT 8MM (Ref # 3)	92015-020	4
WASHER SPRING 12MM (Ref # 4)	461F1200	4
WASHER PLAIN 12MM (Ref # 5)	92022-072	4
CYLINDER HEAD,BLACK (Ref # 6)	11001-104-21	1
DAMPER RUBBER (Ref # 7)	92075-075	12
SPARK PLUG B9HS1 (Ref # 8)	B9HS1	1
GASKET-CYLINDER HEAD (Ref # 9)	11004-042	1
CYLINDER,F.BLACK (Ref # 10)	11005-1025	1
GASKET,CYLINDER BASE (Ref # 11)	11009-041	1
DAMPER RUBBER-CYLINDER (Ref # 12)	92075-142	8
STUD 8X30 (Ref # 13)	172G0830	2
GASKET EXHAUST PIPE (Ref # 14)	18067-008	1
INSERT,EXHAUST HOLDER (Ref # 15)	18070-007	1
HOLDER,EXHAUST (Ref # 16)	18069-049	1
NUT,LOCK,8MM (Ref # 17)	92017-013	2