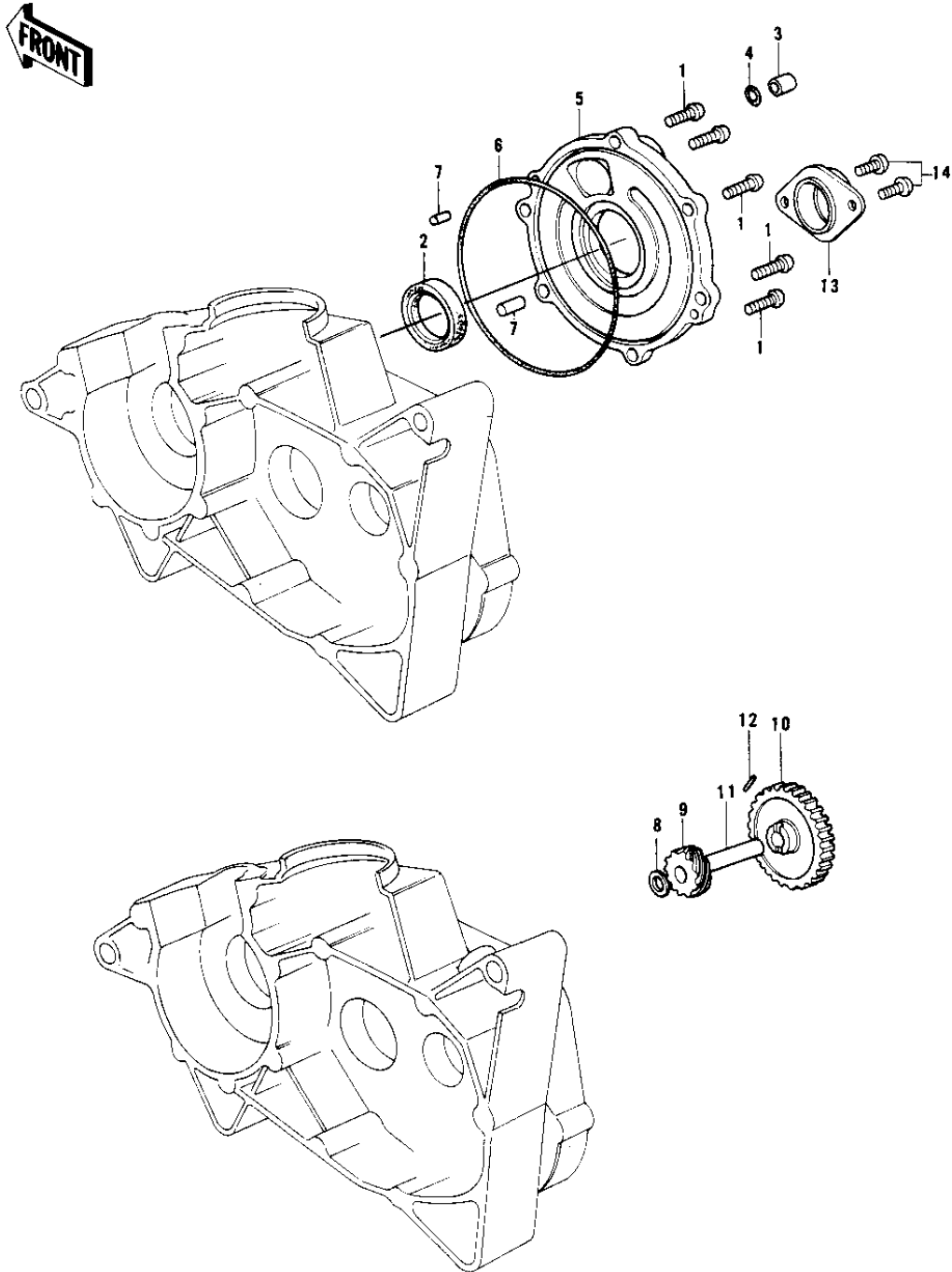


1976 KD175-A1 PARTS DIAGRAM

ROTARY VALVE COVER



1976 KD175-A1 PARTS LIST

ROTARY VALVE COVER

ITEM NAME	PART NUMBER	QUANTITY
SCREW PAN HEAD 6X20 (Ref # 1)	220B0620	6
OIL SEAL TB32457 (Ref # 2)	653B324507	1
COLLAR,VALU COVER (Ref # 3)	92027-243	1
"O" RING,CHECK VALVE (Ref # 4)	92055-037	1
COVER,ROTARY DISC VL (Ref # 5)	14019-053	1
"O" RING,120MM (Ref # 6)	92055-019	1
PIN DOWEL 5X12 (Ref # 7)	610A0512	2
WASHER THRUST (Ref # 8)	92026-025	1
GEAR-TACHOMETER (Ref # 9)	13224-007	1
GEAR-OIL PUMP (Ref # 10)	16085-016	1
SHAFT-OIL PUMP (Ref # 11)	16086-002	1
PIN,DOWEL (Ref # 12)	92042-035	1
HOLDER,CARBURETOR (Ref # 13)	16065-026	1
SCREW PAN HEAD 6X12 (Ref # 14)	220B0612	2