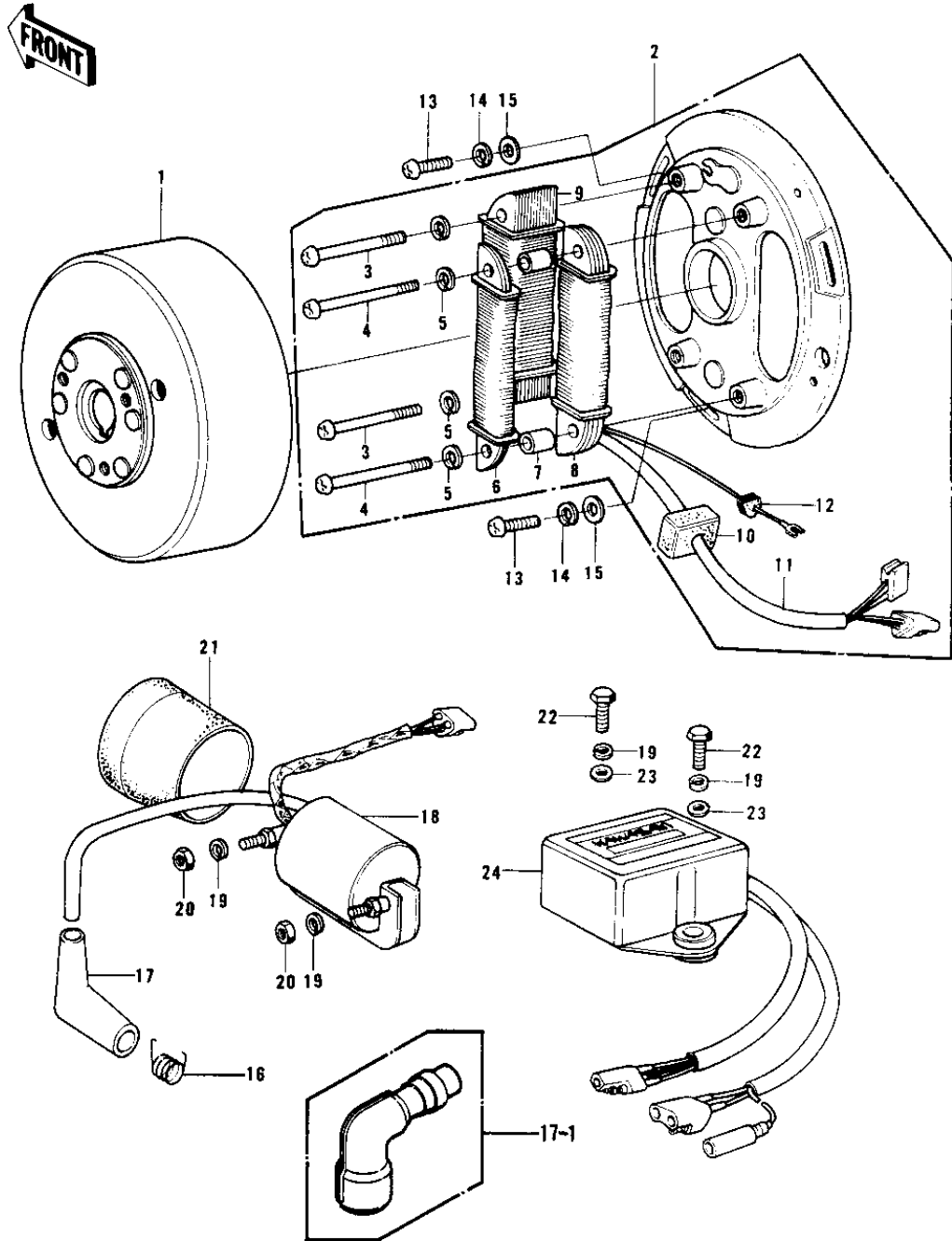


1976 KD175-A1 PARTS DIAGRAM

IGNITION/GENERATOR



1976 KD175-A1 PARTS LIST

IGNITION/GENERATOR

ITEM NAME	PART NUMBER	QUANTITY
FLYWHEEL (Ref # 1)	21050-023	1
STATOR ASSY (Ref # 2)	21003-034	1
SCREW PAN HEAD 4X30 (Ref # 3)	220E0430	2
SCREW-PAN HEAD,4X35 (Ref # 4)	220E0435A	2
WASHER SPRING 4MM (Ref # 5)	461F0400	4
COIL,PULSER (Ref # 6)	21157-002	1
COLLAR (Ref # 7)	21033-002	2
COIL (Ref # 8)	21049-019	1
COIL (Ref # 9)	21047-031	1
GROMMET-WIRING HARN (Ref # 10)	92071-050	1
WIRING HARNESS,MAG (Ref # 11)	21029-036	1
GROMMET WIRING HARN C (Ref # 12)	21017-005	1
SCREW PAN HEAD 5X20 (Ref # 13)	220B0520	3
WASHER SPRING 5MM (Ref # 14)	461F0500	3
WASHER PLAIN 5MM (Ref # 15)	411B0500	3
SPRING-SPARK PLUG CAP (Ref # 16)	92101-001	1
CAP SPARK PLUG (Ref # 17)	21130-009	1
CAP,SPARK PLUG (Ref # 17-1)	21160-005	1
COIL-IGNITION (Ref # 18)	21121-039	1
WASHER SPRING 6MM (Ref # 19)	461F0600	4
NUT 6MM (Ref # 20)	311B0600	2
RUBBER CAP-COIL (Ref # 21)	92073-016	1
SCREW PAN HEAD 6X20 (Ref # 22)	220B0620	2
WASHER PLAIN (Ref # 23)	92022-024	2
IGNITION UNIT (Ref # 24)	21119-028	1
IGNITION UNIT (Ref # 24)	21119-028	1