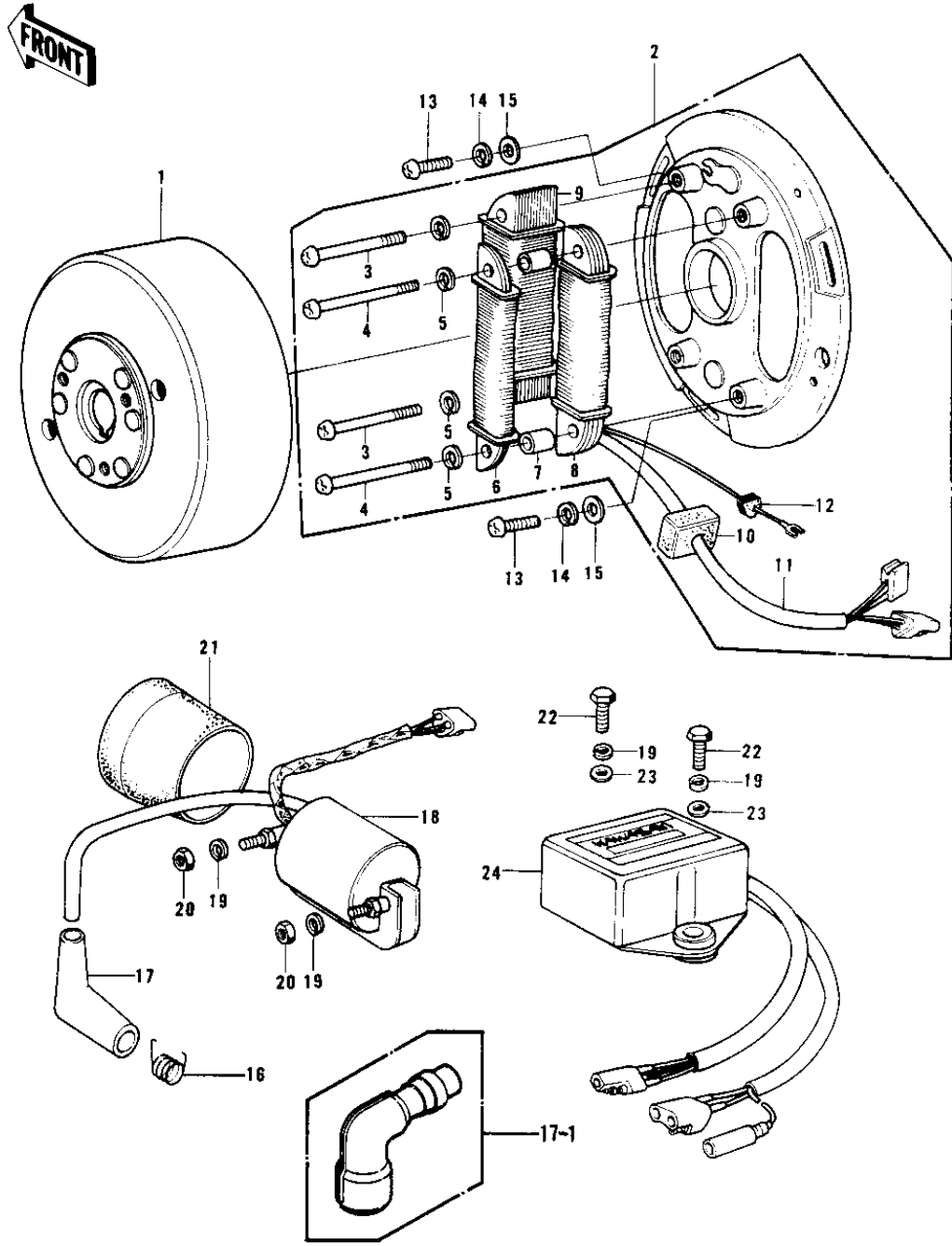


1978 KD175-A3 PARTS DIAGRAM

IGNITION/GENERATOR



1978 KD175-A3 PARTS LIST

IGNITION/GENERATOR

| ITEM NAME | PART NUMBER | QUANTITY |
|----------------------------------|-------------|----------|
| FLYWHEEL (Ref # 1) | 21050-023 | |
| STATOR ASSY (Ref # 2) | 21003-034 | |
| SCREW PAN HEAD 4X30 (Ref # 3) | 220E0430 | |
| SCREW-PAN HEAD,4X35 (Ref # 4) | 220E0435A | |
| WASHER SPRING 4MM (Ref # 5) | 461F0400 | |
| COIL,PULSER (Ref # 6) | 21157-002 | |
| COLLAR (Ref # 7) | 21033-002 | |
| COIL (Ref # 8) | 21049-019 | |
| COIL (Ref # 9) | 21047-031 | |
| GROMMET-WIRING HARN (Ref # 10) | 92071-050 | |
| WIRING HARNESS,MAG (Ref # 11) | 21029-036 | |
| GROMMET WIRING HARN C (Ref # 12) | 21017-005 | |
| SCREW PAN HEAD 5X20 (Ref # 13) | 220B0520 | |
| WASHER SPRING 5MM (Ref # 14) | 461F0500 | |
| WASHER PLAIN 5MM (Ref # 15) | 411B0500 | |
| SPRING-SPARK PLUG CAP (Ref # 16) | 92101-001 | |
| CAP SPARK PLUG (Ref # 17) | 21130-009 | |
| CAP,SPARK PLUG (Ref # 17-1) | 21160-005 | |
| COIL-IGNITION (Ref # 18) | 21121-039 | |
| WASHER SPRING 6MM (Ref # 19) | 461F0600 | |
| NUT 6MM (Ref # 20) | 311B0600 | |
| RUBBER CAP-COIL (Ref # 21) | 92073-016 | |
| SCREW PAN HEAD 6X20 (Ref # 22) | 220B0620 | |
| WASHER PLAIN (Ref # 23) | 92022-024 | |
| IGNITION UNIT (Ref # 24) | 21119-028 | |
| IGNITION UNIT (Ref # 24) | 21119-028 | |