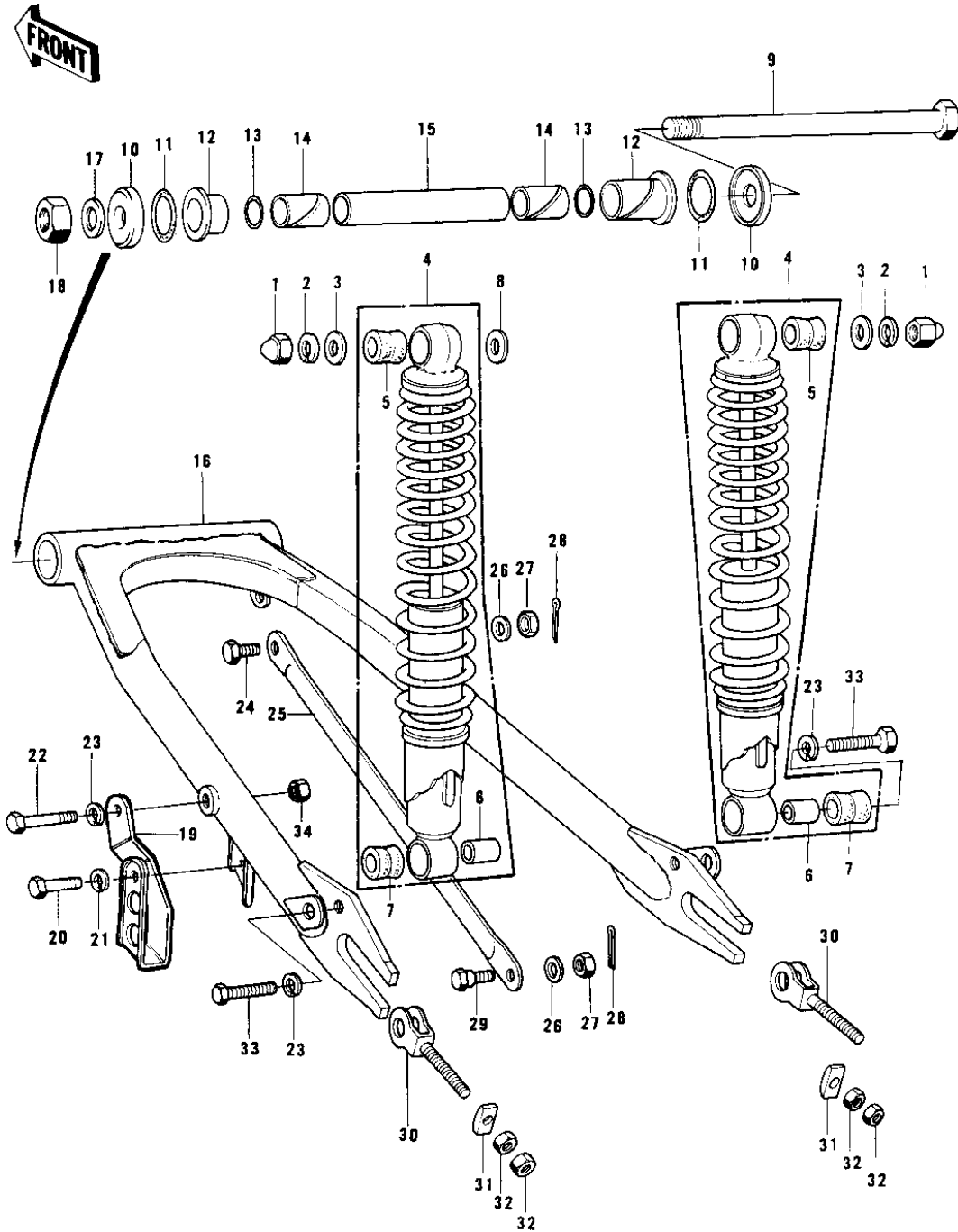


# 1976 KD175-A1 PARTS DIAGRAM

## SWING ARM/SHOCK ABSORBERS



# 1976 KD175-A1 PARTS LIST

## SWING ARM/SHOCK ABSORBERS

ITEM NAME	PART NUMBER	QUANTITY
NUT SHOCK ABSORBER (Ref # 1)	92020-003	2
WASHER SPRING 10MM (Ref # 2)	461F1000	2
WASHER-PL-10.5X26X2.3 (Ref # 3)	92022-044	2
SHOCK ABSBR RR (Ref # 4)	45014-113	2
SHOCK ABSBR RR (Ref # 4)	45014-1017	2
BUSH A-SHCK ABS RUBER (Ref # 5)	45017-010	2
BUSHING,RUBBER (Ref # 6)	92075-1020	2
BUSH SHCK ABS PVT SFT (Ref # 7)	45016-003	2
WASHER PLAIN 12MM (Ref # 8)	410B1200	1
SHAFT-SWING ARM PIVOT (Ref # 9)	33032-034	1
CAP-SWINGING ARM (Ref # 10)	33035-005	2
"0" RING,30MM (Ref # 11)	671B2530	2
BUSHING-SWING ARM (Ref # 12)	33033-009	2
"0" RING,16MM (Ref # 13)	670B2016	2
"0" RING,16MM (Ref # 13)	92055-001	2
SLEEVE-SWINGING ARM (Ref # 14)	33034-016	2
COLLAR,SWING ARM,LONG (Ref # 15)	33036-007	1
ARM,SWING (Ref # 16)	33001-085	1
SWING ARM (Ref # 16)	33001-080	1
WASHER PLAIN 12MM (Ref # 17)	410B1200	1
NUT-LOCK,12MM (Ref # 18)	92019-009	1
GUARD,CHAIN (Ref # 19)	55020-016	1
BOLT-SMALL-UPSET,8X16 (Ref # 20)	115G0816	1
WASHER SPRING 8MM (Ref # 21)	461F0800	1
BOLT,HEX HEAD,10X50 (Ref # 22)	92001-1254	1
WASHER SPRING 10MM (Ref # 23)	461F1000	3
BOLT,HEX HEAD,AX24 (Ref # 24)	92003-143	1
TORQUE LINK,REAR BRK (Ref # 25)	43007-039	1
WASHER SPRING 8MM (Ref # 26)	461F0800	2

## 1976 KD175-A1 PARTS LIST

### SWING ARM/SHOCK ABSORBERS

ITEM NAME	PART NUMBER	QUANTITY
NUT,8MM (Ref # 27)	320B0800	2
PIN COTTER 2.0X20 (Ref # 28)	550D2020	2
BOLT,RR TORQUE LINK (Ref # 29)	92003-144	1
ADJUSTER,CHAIN (Ref # 30)	33040-073	2
PLATE,CHAIN ADJUSTER (Ref # 31)	33041-005	2
NUT,8MM (Ref # 32)	311B0800	4
BOLT HEX HEAD 10X35 (Ref # 33)	113N1035	2
NUT,10MM (Ref # 34)	314B1000	1