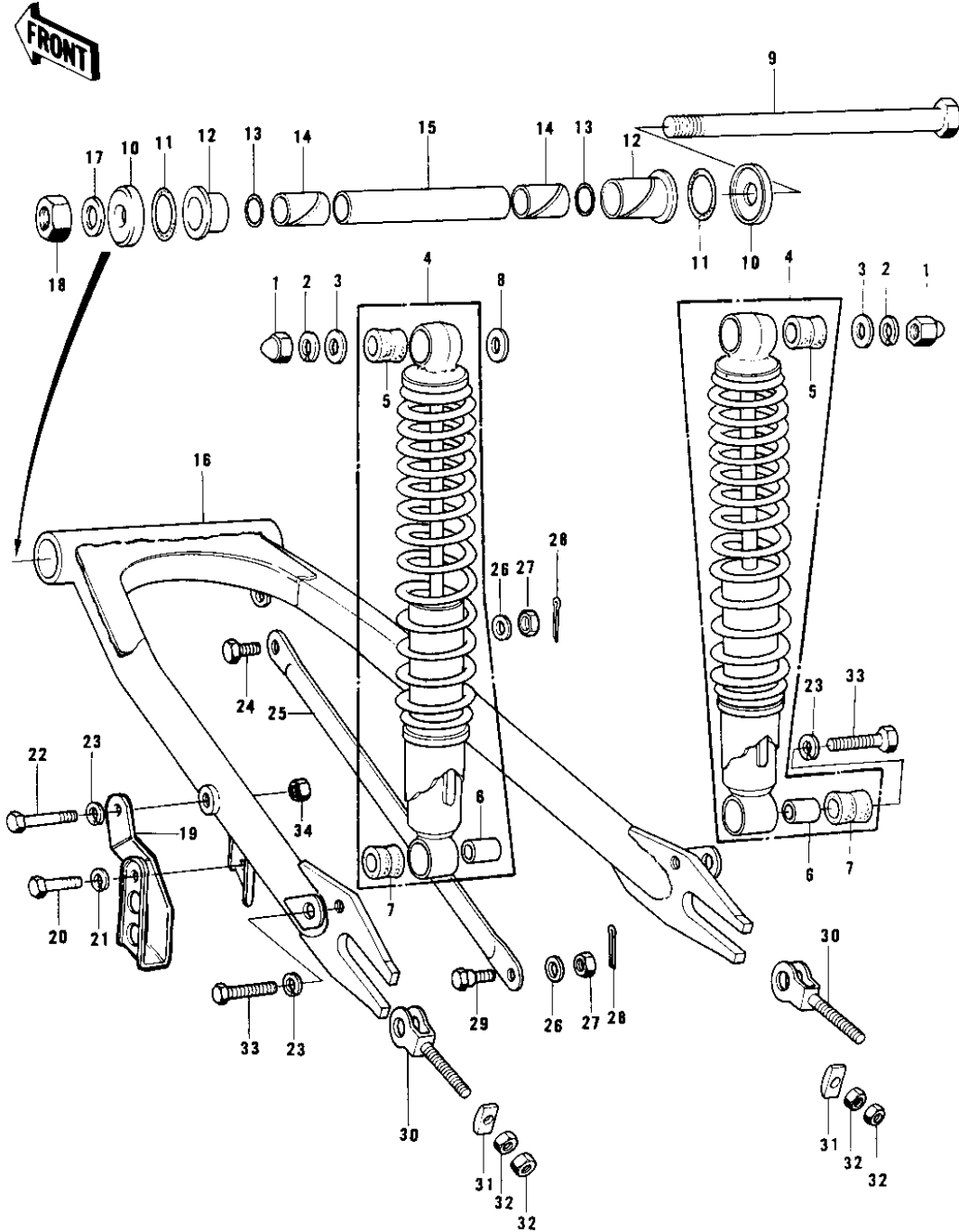


1978 KD175-A3 PARTS DIAGRAM

SWING ARM/SHOCK ABSORBERS



1978 KD175-A3 PARTS LIST

SWING ARM/SHOCK ABSORBERS

ITEM NAME	PART NUMBER	QUANTITY
NUT SHOCK ABSORBER (Ref # 1)	92020-003	
WASHER SPRING 10MM (Ref # 2)	461F1000	
WASHER-PL-10.5X26X2.3 (Ref # 3)	92022-044	
SHOCK ABSBR RR (Ref # 4)	45014-113	
SHOCK ABSBR RR (Ref # 4)	45014-1017	
BUSH A-SHCK ABS RUBER (Ref # 5)	45017-010	
BUSHING,RUBBER (Ref # 6)	92075-1020	
BUSH SHCK ABS PVT SFT (Ref # 7)	45016-003	
WASHER PLAIN 12MM (Ref # 8)	410B1200	
SHAFT-SWING ARM PIVOT (Ref # 9)	33032-034	
CAP-SWINGING ARM (Ref # 10)	33035-005	
"0" RING,30MM (Ref # 11)	671B2530	
BUSHING-SWING ARM (Ref # 12)	33033-009	
"0" RING,16MM (Ref # 13)	670B2016	
"0" RING,16MM (Ref # 13)	92055-001	
SLEEVE-SWINGING ARM (Ref # 14)	33034-016	
COLLAR,SWING ARM,LONG (Ref # 15)	33036-007	
ARM,SWING (Ref # 16)	33001-085	
SWING ARM (Ref # 16)	33001-080	
WASHER PLAIN 12MM (Ref # 17)	410B1200	
NUT-LOCK,12MM (Ref # 18)	92019-009	
GUARD,CHAIN (Ref # 19)	55020-016	
BOLT-SMALL-UPSET,8X16 (Ref # 20)	115G0816	
WASHER SPRING 8MM (Ref # 21)	461F0800	
BOLT,HEX HEAD,10X50 (Ref # 22)	92001-1254	
WASHER SPRING 10MM (Ref # 23)	461F1000	
BOLT,HEX HEAD,AX24 (Ref # 24)	92003-143	
TORQUE LINK,REAR BRK (Ref # 25)	43007-039	
WASHER SPRING 8MM (Ref # 26)	461F0800	

1978 KD175-A3 PARTS LIST

SWING ARM/SHOCK ABSORBERS

ITEM NAME	PART NUMBER	QUANTITY
NUT,8MM (Ref # 27)	320B0800	
PIN COTTER 2.0X20 (Ref # 28)	550D2020	
BOLT,RR TORQUE LINK (Ref # 29)	92003-144	
ADJUSTER,CHAIN (Ref # 30)	33040-073	
PLATE,CHAIN ADJUSTER (Ref # 31)	33041-005	
NUT,8MM (Ref # 32)	311B0800	
BOLT HEX HEAD 10X35 (Ref # 33)	113N1035	
NUT,10MM (Ref # 34)	314B1000	