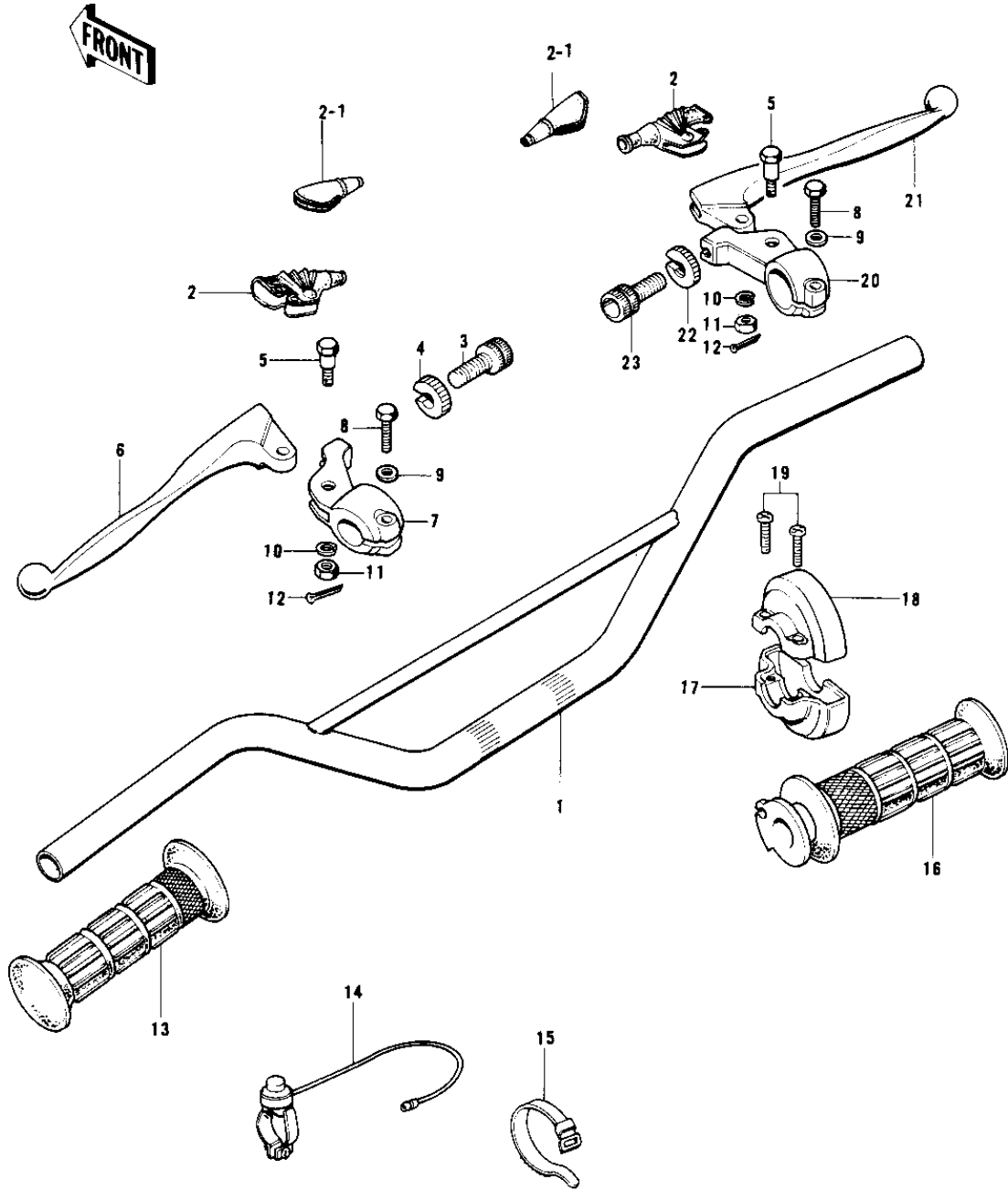


# 1977 KD175-A2 PARTS DIAGRAM

## HANDLEBAR



# 1977 KD175-A2 PARTS LIST

## HANDLEBAR

ITEM NAME	PART NUMBER	QUANTITY
HANDLEBAR (Ref # 1)	46004-028	
BOOTS,LEVER HOLDER (Ref # 2)	49006-1017	
BOOTS,LEVER HOLDER (Ref # 2-1)	49006-1017	
SCREW,CABLE ADJUST (Ref # 3)	46055-009	
NUT,CABLE ADJUST LOCK (Ref # 4)	46056-006	
BOLT,HEX HEAD,6MM (Ref # 5)	92001-140	
LEVER, CLUTCH (Ref # 6)	46092-021	
HOLDER,CLUTCH LEVER (Ref # 7)	46094-014	
BOLT, HEX HEAD 6X22 (Ref # 8)	110N0622	
WASHER PLAIN 6MM (Ref # 9)	411B0600	
WASHER SPRING 6MM (Ref # 10)	461F0600	
NUT CASTLE (Ref # 11)	320B0600	
PIN COTTER 1.6X15 (Ref # 12)	550D1615	
RUBBER,L.H GRIP (Ref # 13)	46075-025	
SWITCH,ASSY,ENG STOP (Ref # 14)	27010-1018	
BAND,SHORT (Ref # 15)	92072-030	
GRIP ASSY,THROTTLE (Ref # 16)	46019-033	
CASE,R.H LOWER (Ref # 17)	46023-018	
CASE,R.H UPPER (Ref # 18)	46041-022	
SCREW PAN HEAD 5X20 (Ref # 19)	220E0520	
HOLDER,FR BRAKE LEVER (Ref # 20)	46060-010	
FRONT BRAKE LEVER (Ref # 21)	46058-018	
NUT,CABLE ADJUST LOCK (Ref # 22)	46056-006	
SCREW,CABLE ADJUST (Ref # 23)	46055-010	