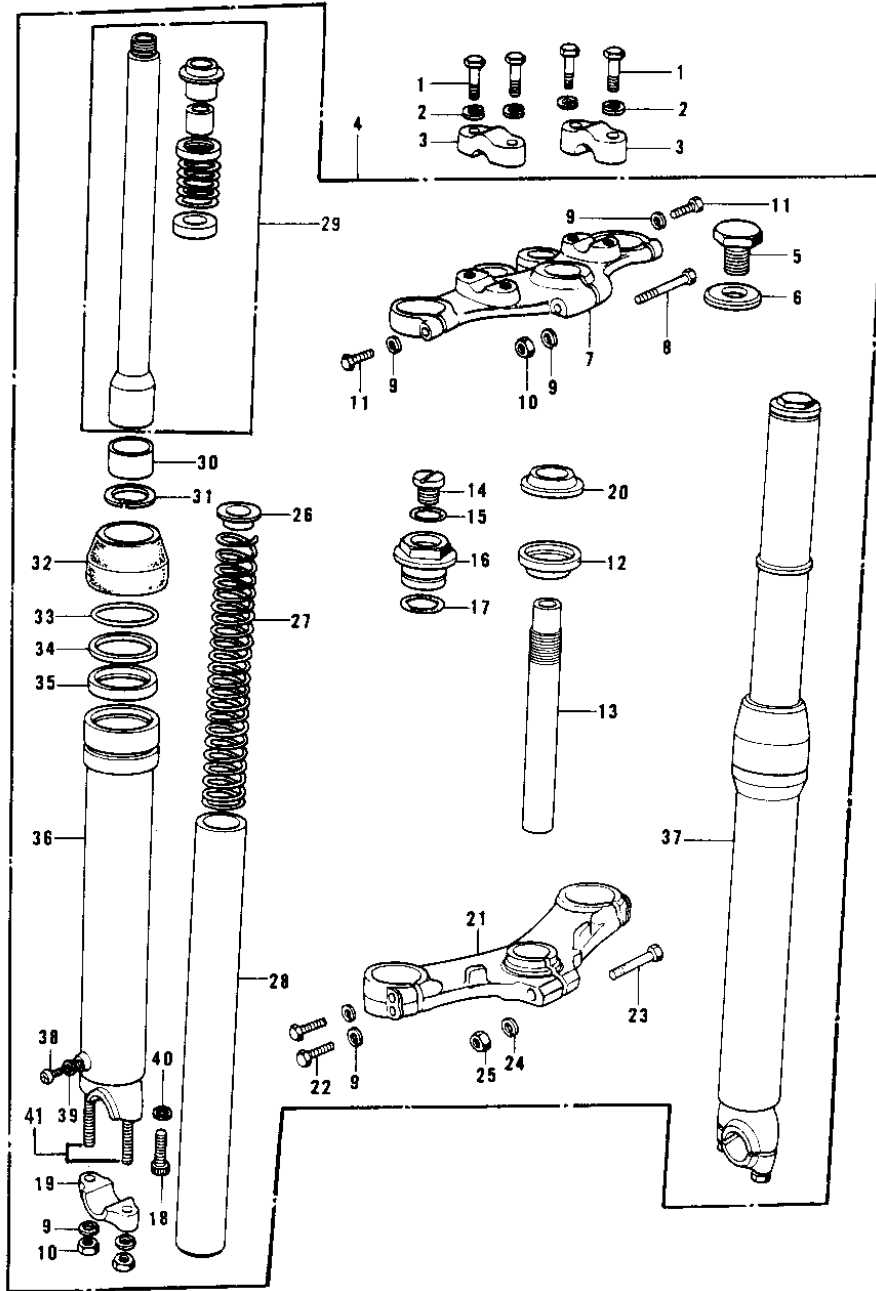


1977 KD175-A2 PARTS DIAGRAM

FRONT FORK



1977 KD175-A2 PARTS LIST

FRONT FORK

ITEM NAME	PART NUMBER	QUANTITY
BOLT 8X38 (Ref # 1)	92001-1405	
WASHER SPRING 8MM (Ref # 2)	461F0800	
HOLDER,HANDLEBAR (Ref # 3)	46012-014	
FORK-FRONT (Ref # 4)	44001-192	
BOLT STRNG STEM HEAD (Ref # 5)	44041-007	
WASHER STRNG STEM HD (Ref # 6)	44043-016	
HEAD,STEERING STEM (Ref # 7)	44039-068	
BOLT,FORK TOP (Ref # 8)	44041-065	
WASHER SPRING 8MM (Ref # 9)	461F0800	
NUT,8MM (Ref # 10)	311B0800	
BOLT-STEERING STEM HD (Ref # 11)	44041-044	
DUST SHIELD-STRNG STM (Ref # 12)	44010-020	
SHAFT,STEERING STEM (Ref # 13)	44052-011	
SCREW, TOP BOLT (Ref # 14)	44041-082	
"O" RING (Ref # 15)	44046-024	
BOLT,FORK TOP (Ref # 16)	44032-013	
'O' RING FORK FIT BLT (Ref # 17)	44046-013	
BOLT-FORK CYLINDER (Ref # 18)	44041-040	
HOLDER,FORK AXLE (Ref # 19)	44063-013	
CONE STERNG BERG LOW (Ref # 20)	92047-010	
STEM,STEERING (Ref # 21)	44038-010	
BOLT HEX HEAD 8X35 (Ref # 22)	110N0835	
BOLT-STEERING STEM HD (Ref # 23)	44041-042	
WASHER SPRING 10MM (Ref # 24)	461F1000	
NUT (10MM) (Ref # 25)	311B1000	
GUIDE,FORK SPRING (Ref # 26)	44028-038	
SPRING,FORK (Ref # 27)	44026-069	
TUBE,FORK INNER (Ref # 28)	44013-056	
CYLINDER-FORK (Ref # 29)	44022-036	

1977 KD175-A2 PARTS LIST

FRONT FORK

ITEM NAME	PART NUMBER	QUANTITY
PISTON,FORK (Ref # 30)	44018-010	
CIRCLIP,26MM (Ref # 31)	481J2600	
DUST SHIELD (Ref # 32)	44010-033	
CIRCLIP,FORK OUT TUB (Ref # 33)	44044-022	
WASHER (Ref # 34)	44043-059	
OIL SEAL (Ref # 35)	44009-025	
TUBE,LH,FORK OUTER (Ref # 36)	44005-062	
TUBE,RH,FORK OUTER (Ref # 37)	44006-060	
SCREW PAN HEAD 4X8 (Ref # 38)	220B0408	
GASKET FORK DRAIN PLG (Ref # 39)	44045-002	
GASKET,FORK CYLINDER (Ref # 40)	44045-057	
STUD 8X30 (Ref # 41)	172G0830	