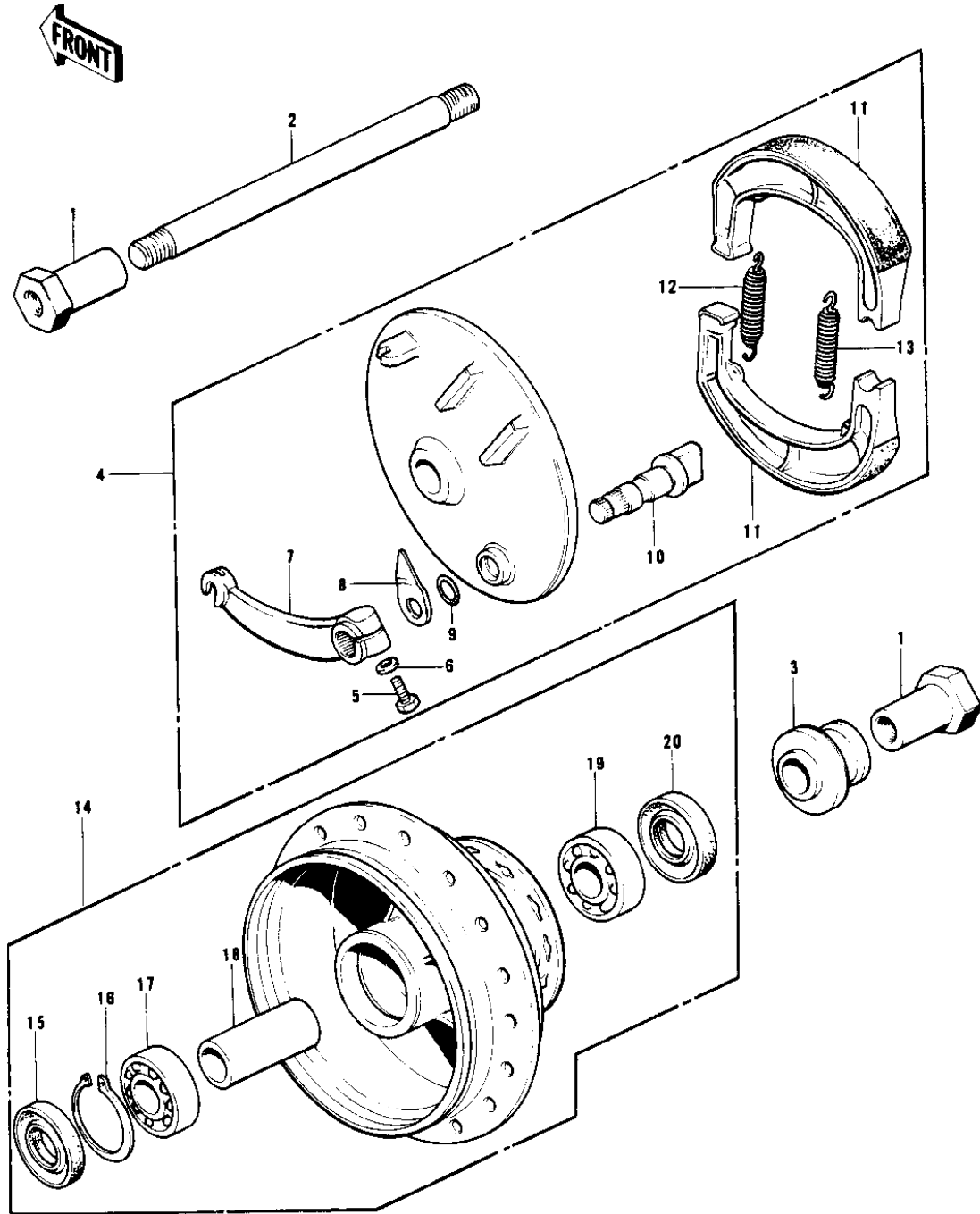


1976 KD175-A1 PARTS DIAGRAM

FRONT HUB/BRAKE



1976 KD175-A1 PARTS LIST

FRONT HUB/BRAKE

ITEM NAME	PART NUMBER	QUANTITY
COLLAR,FRONT AXLE (Ref # 1)	41069-024	2
AXLE,FRONT (Ref # 2)	41068-043	1
COLLAR,FRONT AXLE (Ref # 3)	41069-025	1
PANEL-ASY,FR BRK BUFF (Ref # 4)	41035-076-80	1
BOLT 6X22 (Ref # 5)	112B0622	1
WASHER PLAIN 6MM (Ref # 6)	410B0600	1
LEVER,FRNT BRAKE CAM (Ref # 7)	41053-020	1
INDICATOR,FR BRK PNL (Ref # 8)	41085-002	1
"O" RING,11MM (Ref # 9)	92055-004	1
CAM SHAFT,FRONT BRAKE (Ref # 10)	41050-012	1
SHOE,BRAKE (Ref # 11)	41048-015	2
SPRING,BRAKE SHOE (Ref # 12)	92081-1766	1
SPRING,BRAKE SHOE (Ref # 13)	92081-1550	1
DRUM-ASSY,FR BRK,BUFF (Ref # 14)	41034-037-80	1
OIL SEAL,FR BK DRUM (Ref # 15)	92050-059	1
CIRCLIP.37MM (Ref # 16)	481J3700	1
BEARING BALL #6301 (Ref # 17)	601B6301	1
SPACER,FR HUB BEARING (Ref # 18)	41039-025	1
BEARING BALL #6201 (Ref # 19)	601B6201	1
OIL SEAL (Ref # 20)	654A193208	1