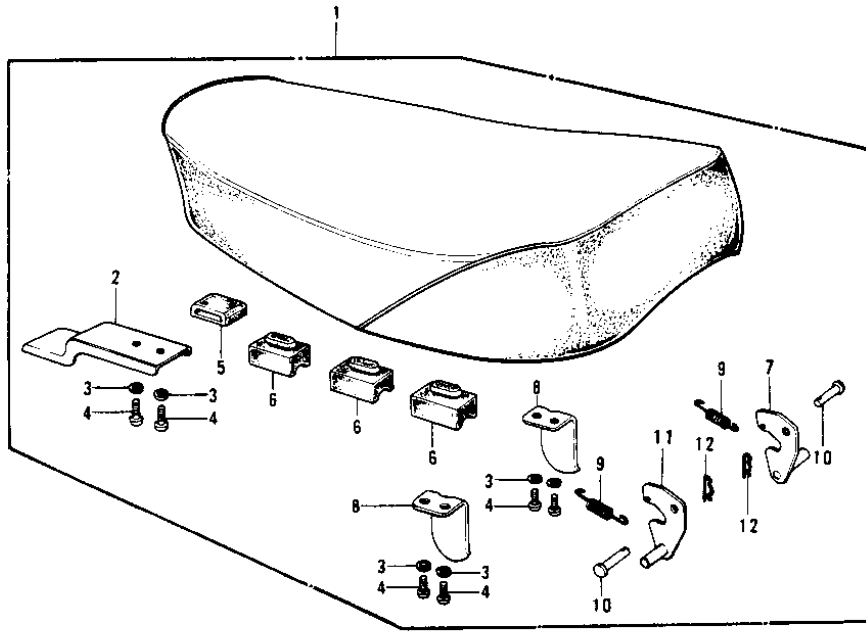


1976 KD175-A1 PARTS DIAGRAM

SEAT



1976 KD175-A1 PARTS LIST

SEAT

ITEM NAME	PART NUMBER	QUANTITY
SEAT-ASSY,DUAL (Ref # 1)	53001-1036	1
SEAT-ASSY,DUAL (Ref # 1)	53001-1036	1
BRACKET,DUAL SEAT (Ref # 2)	53032-005	1
WASHER SPRING 6MM (Ref # 3)	461F0600	6
SCREW PAN HEAD 6X14 (Ref # 4)	220B0614	6
DAMPER RUBBER,SEAT (Ref # 5)	92075-219	1
DAMPER RUBBER,SEAT (Ref # 6)	92075-216	6
HOOK,SEAT,R.H (Ref # 7)	53008-029	1
STOPPER,SEAT (Ref # 8)	53059-001	2
SPRING,HOOK (Ref # 9)	53012-013	2
PIN DUAL SEAT PIVOT (Ref # 10)	53011-001	2
HOOK,SEAT,L.H (Ref # 11)	53008-028	1
COTTER PIN (Ref # 12)	92041-003	2